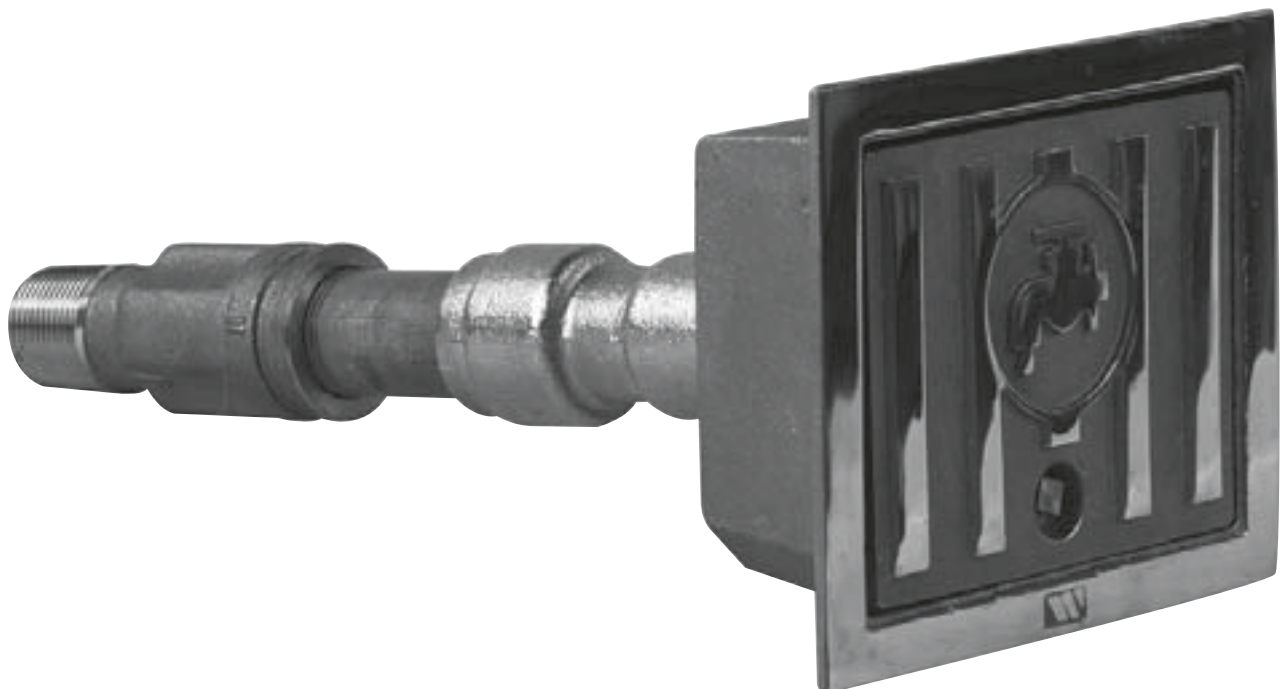


**TABLE OF CONTENTS**

- Pictorial Index
- Product Recommendations
- Material & Characteristics
- Typical Installations



## PICTORIAL INDEX



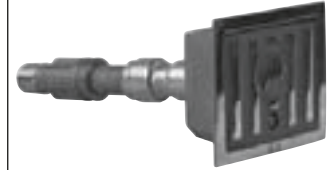
**HY-330**  
Moderate Climate w/Box



**HY-430**  
Moderate Climate



**HY-600**  
Post Hydrant



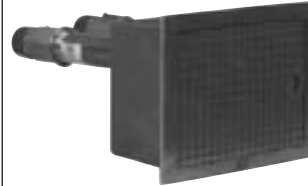
**HY-725**  
Non-Freeze w/Box



**HY-420**  
Non-Freeze



**HY-500**  
Deck Hydrant w/Box



**HY-700**  
Dual-Temp

## PRODUCT RECOMMENDATIONS

### Application

### Product

Exterior Wall .....	HY-420, HY-725
Hot & Cold .....	HY-700
Interior Wall .....	HY-330, HY-430
Outdoor Flush In-Ground .....	HY-500
Outdoor Post .....	HY-600

## PRODUCT SPECIFICATIONS

Watts hydrants are key operated, and generally furnished with a 3/4" hose connection, all bronze head, seat casting, and internal working parts, and galvanized wall casing. See product submittal pages for face/box material and finishes.

### Characteristics

**Non-Freeze** - Frost-proof or non-freeze hydrants automatically drain the hydrant casing when the water is turned off, preventing potential damage to the hydrant or piping system.

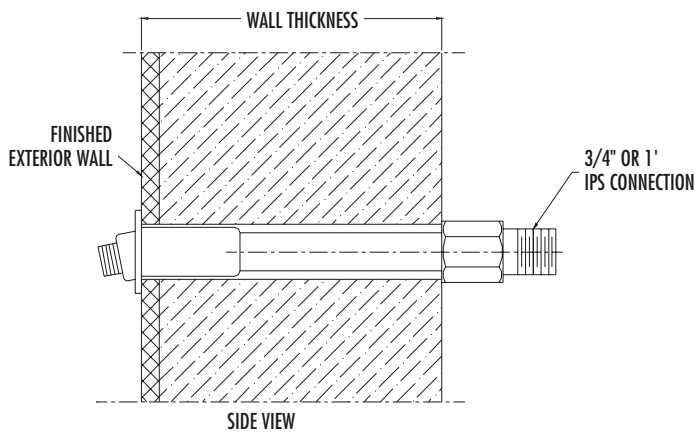
**Anti-Siphon** - Built-in or screw-on vacuum breakers relieve negative pressure in the water supply piping, preventing back siphonage.

**Dual-Temp** - Connected to hot & cold supply lines, mixing valve allows tempered water output.

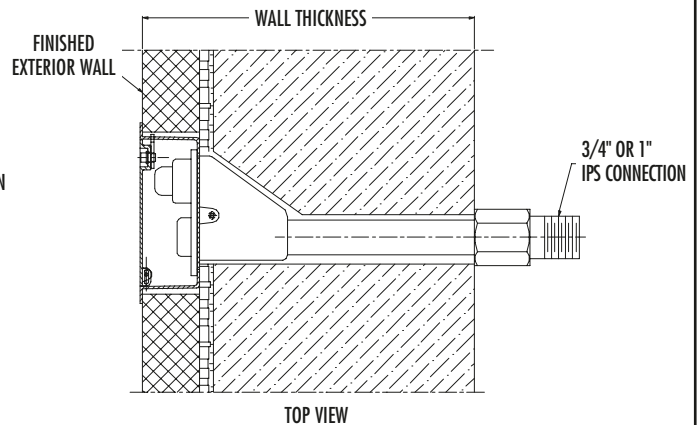
**Flow Rates** - Standard 3/4" hydrants discharge approximately 10 GPM under normal operating conditions. Specific flow rates are dependent upon connection sizes and operating pressures.

**Operating Range** - Watts hydrants are designed for operation within a pressure range of 8 PSI to 125 PSI, and a temperature range of 33F to 130F.

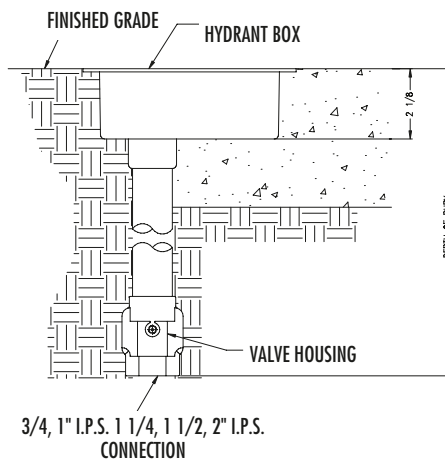
## TYPICAL INSTALLATIONS



**HY-420**



**HY-725**



**HY-500**

**HY-600**

