

TABLE OF CONTENTS

- Pictorial Index
- Product Recommendations
- Cleanout Selection Factors
 - Load Rating
 - Material & Characteristics
 - Pipe Connection
 - Commonly Specified Options
- Typical Installations



PICTORIAL INDEX



CO-200-R
Round NB Top



CO-200-RX-4
HD Round DI Top



CO-200-T
Round w/Tile Recess



CO-260
8" dia. HD Top



CO-200-RC
Carpet Marker



CO-200-S
Square NB Top



CO-200-TS
Square w/Tile Recess



CO-270
Floor Cleanout with
Non-Adjustable Top



CO-200-RFC7
Surface Membrane Clamp



CO-200-SX
HD Square NB Top



CO-200-U
Round w/Terrazzo Recess



CO-300-MF
HD Access Housing



CO-200-RX
HD Round NB Top



CO-200-SX-4
HD Square DI Top



CO-200-US
Square w/Terrazzo Recess



CO-300-R
Round Access Cover

PICTORIAL INDEX



CO-300-S
Square Access Cover



CO-380-RD
Wall Cleanout Ferrule with
Stainless Steel Cover



CO-450-RD
CI Wall Cleanout



CO-590
Brass Plug



CO-300-U
Round Access Cover w/
Terrazzo Recess



CO-390-E
General Purpose



CO-460
Stack Cleanout



CO-590-RD
Wall Cleanout with Brass
Plug, Stainless Steel Cover



CO-300-US
Square Access Cover w/
Terrazzo Recess



CO-410
Floor Access Housing



CO-460-RD
Stack Cleanout w/SS cover



CO-1200-R
HD Round SS Top



CO-380
Cleanout Ferrule



CO-440-RD
Wall Cleanout w-Poly Plug



CO-480-RD
SS Cover & Screw



CO-1200-RX
Floor Cleanout w/Extra HeavyDuty
Round Stainless Steel Top

PICTORIAL INDEX



CO-1200-S
HD Square SS Top



CO-1200-SX
Floor Cleanout w/Extra HeavyDuty
Square Stainless Steel Top

PRODUCT RECOMMENDATIONS

Application	Product
Access Covers	CO-300-R, CO-300-S, CO-410
Basement Areas	CO-200-RX-4, CO-390-E
Clinical & Surgical Areas	CO-1200-R, CO-1200-S
Elastomeric & Rubberized Floors	CO-200-RFC7
Food Preparation Areas	CO-1200-R, CO-1200-S
Garage & Service Bays	CO-260, CO-270, CO-300-MF
Industrial & Warehouse Areas	CO-200-RX, CO-200-RX-4, CO-200-SX, CO-200-SX-4
Interior Carpeted Areas	CO-200-RC
Interior Finished Areas	CO-200-R
Maintenance & Boiler Rooms	CO-200-RX-4, CO-380
Outdoor Parking Areas	CO-300-MF
Outdoor Walkways	CO-200-RX, CO-200-SX
Sanitary Manufacturing Areas	CO-1200-R, CO-1200-RX, CO-1200-S, CO-1200-SX,
Stack Bases	CO-460, CO-460-RD
Stairwells	CO-200-RX-4, CO-390-E
Terrazzo Floors (Recessed Cover)	CO-200-U, CO-200-US
Tile Floors (Recessed Cover)	CO-200-T, CO-200-TS
Wall Stubouts	CO-440-RD, CO-590-RD

CLEANOUT SELECTION FACTORS

Load Rating

Load rating should be based upon maximum anticipated traffic, in accordance with American National Standards ASME A112.21.1M. See specification pages for load rating data.

Light Duty (LD) - Safe Live Load Under 2000 lbs.

Medium Duty (MD) - Safe Live Load 2000-4999 lbs.

Heavy Duty (HD) - Safe Live Load 5000-7499 lbs.

Extra Heavy Duty (XHD) - Safe Live Load Between 7500 and 10,000 lbs.

Special Duty (SD) - Safe Live Load Over 10,000 lbs.

Material & Characteristics

Bodies - Industrial grade cast iron, finished with Watts standard gray acid resistant epoxy coating. Most Watts floor cleanouts can be specified with PVC (-60) or ABS (-61) bodies for direct solvent weld connection.

Unfinished Areas - Watts standard epoxy coated ductile iron covers provide superior chemical and shock resistance, compared to competitive enameled cast iron cleanout covers.

Finished Areas - Nickel bronze (-1) has a silvery appearance which compliments most interior finishes. Watts nickel bronze alloy is homogenous, highly resistant to wear, and will not be discolored by weather or traffic.

Cleanout Plugs - Two-piece gasket seal poly plug supplied standard, threaded brass plug (-34B) optional on CO-200 Series floor cleanouts.

CLEANOUT SELECTION FACTORS

Pipe Connection

No Hub (Standard) - Butt connection using no hub or neoprene coupling, suitable for cast iron, plastic, and most other piping applications.

Push-On (P) - Gasket connection ASTM C-564, with pipe stop. Suitable for no hub or service weight cast iron, Sch. 40 plastic, and steel pipe. Recommended for below grade use only.

Threaded (T) - Female IPS thread in drain outlet.

Inside Caulk (X) - Caulk ring on drain outlet, pipe is inserted and joint sealed with lead & oakum.

PVC Socket (-60) - Sch. 40 PVC solvent weld female socket.

ABS Socket (-61) - Sch. 40 ABS solvent weld female socket.

Commonly Specified Options

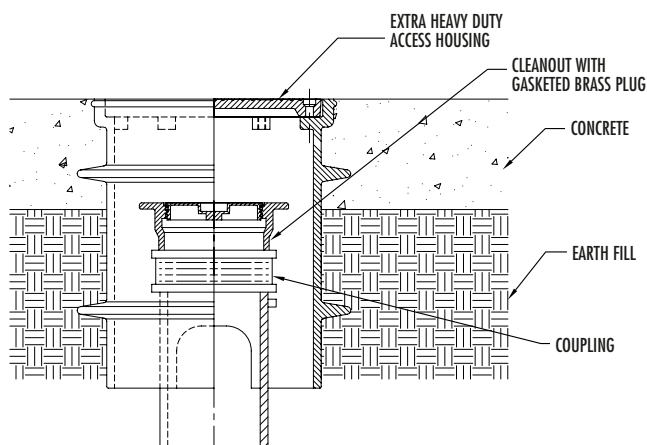
Membrane Clamp (-C) - Secures waterproofing membrane or liner, generally specified in above grade applications.

Vandal Proof (-6) - Allen head screws regularly furnished, torx & pin may be specified for high security applications.

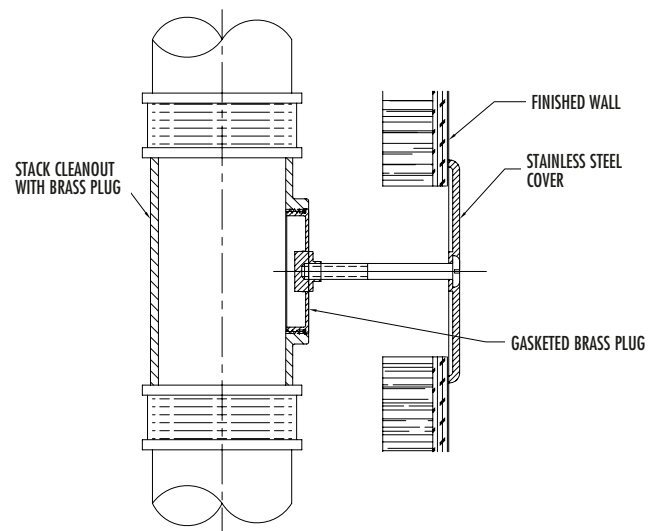
Galvanized (-13) - Cold zinc galvanizing, commonly specified in highly corrosive environments, such as coastal or industrial areas. Watts standard acid resistant epoxy coating eliminates the need for galvanizing in many applications.

Bronze Plug (-34B) - Threaded bronze plug available on CO-200 Series floor cleanouts.

TYPICAL INSTALLATIONS



CO-300-MF / CO-380



CO-460-RD

TYPICAL INSTALLATIONS

