

# Watts SilverEagle™ Series Shutoff Valve Options

## Inlet Options

## Outlet Options



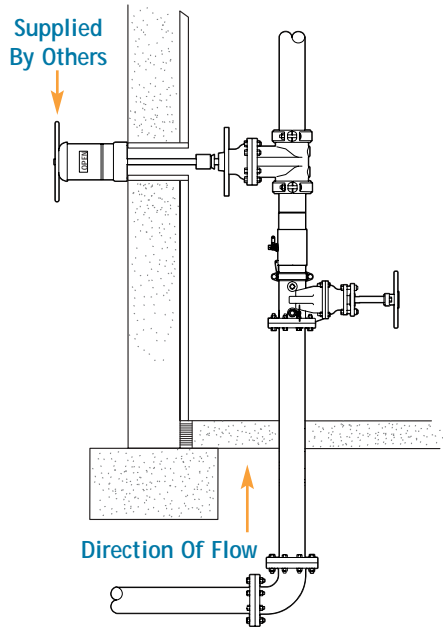
Introducing a Backflow Preventer Shutoff valve for all your installation requirements. Typically, most backflow prevention manufacturers have provided limited types of shutoff valves. Watts Regulator is pleased to be the first company to offer a wide variety of shutoff valves to meet your installation requirements. From grooved butterfly valves, to valves equipped with 2" operating nut and post indicator plate, the Watts Regulator SilverEagle™ offers the greatest flexibility in design.

## Installation Considerations

The installation should be installed with adequate clearance around the valve to allow for inspection, testing, and servicing. A 12" minimum clearance is required between the lower portion of the assembly, and the floor or grade. The valve should be protected from freezing. Normal discharge and nuisance spitting are accommodated by the use of a Watts air gap fitting and a fabricated indirect waste line. Floor drains of the same size must be provided in case of excessive discharge. PIV gate valve available in 2"–8" sizes.

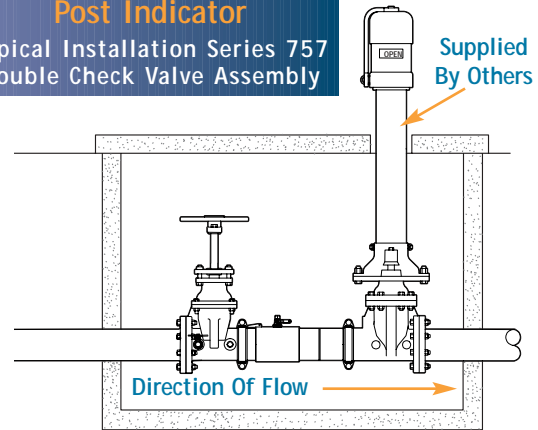
### Wall Post

Typical Installation Series 757  
Double Check Valve Assembly



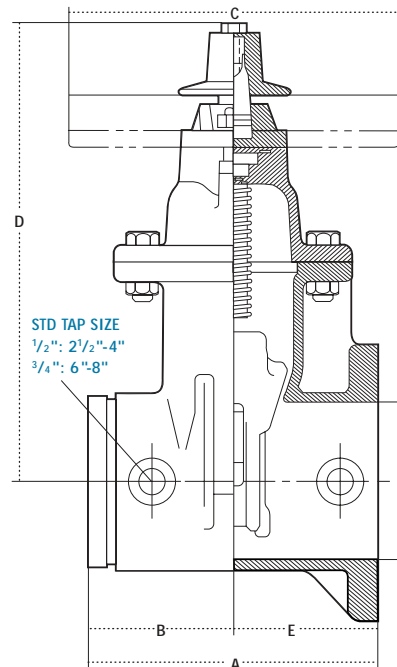
### Post Indicator

Typical Installation Series 757  
Double Check Valve Assembly



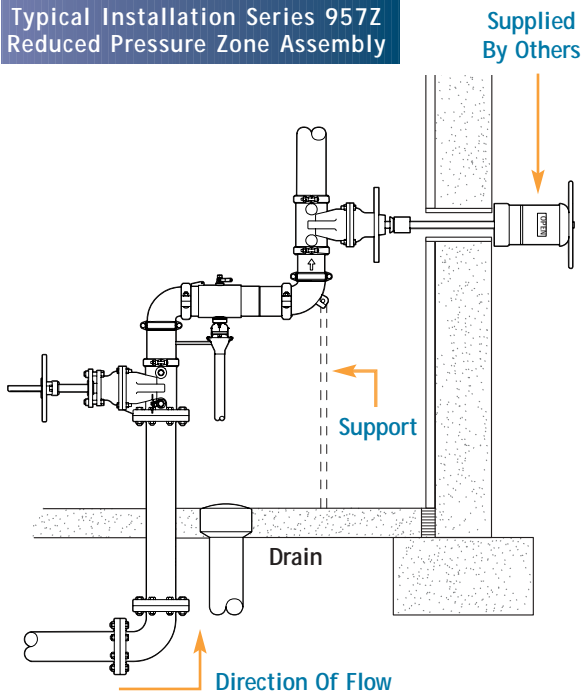
### Dimensions

2½"-8" Groove x Flange



### Wall Post

Typical Installation Series 957Z  
Reduced Pressure Zone Assembly



SIZE (DN)	DIMENSIONS												
	A		B		C		D		E		F		
	in	mm	in	mm	in	mm	in	mm	in	mm	in	mm	
2½	65	7½	191	3¾	95	7¼	184	10⅞	276	3¾	95	2½	64
3	80	8	203	4	101	10	254	12⅞	314	4	101	3	76
4	100	9	229	4½	114	10	254	14¾	375	4½	114	4¼	108
6	150	10½	267	5¼	133	12	305	19	483	5¼	133	6¼	159
8	200	11½	292	5¾	146	14	356	22½	572	5¾	146	8¼	210

ISO 9001  
CERTIFIED

**WATTS**<sup>®</sup>  
REGULATOR

USA: 815 Chestnut St., No. Andover, MA 01845-6098; [www.wattsreg.com](http://www.wattsreg.com)  
Canada: 5435 No. Service Rd., Burlington, Ont. L7L 5H7; [www.wattscanada.ca](http://www.wattscanada.ca)