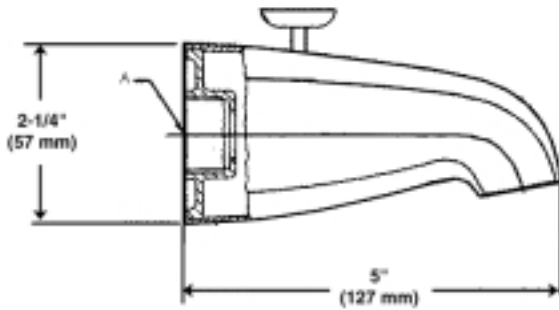


SPECIFICATION

DescriptionDiverter Spout
 MaterialBrass
 FinishChrome Plated
 Agency/Spec ApprovalMeet the requirements of ANSI A112.18.1M
CSA B125 Approved
 Shipping Weight**141-159** - 1.2 lbs (0.5 lbs kg)
**141-350** - 1.3 lbs (0.6 kg)

DIMENSION



INDICATE DESIRED FITTING

Part #	Type	A
<input type="checkbox"/> 141-159	Q	3/4" IPS
<input type="checkbox"/> 141-350	T	1/2" IPS

ENGINEERING APPROVAL

Project: _____
 Contractor: _____
 Architect/Engineer: _____