



SDCP/SDNB

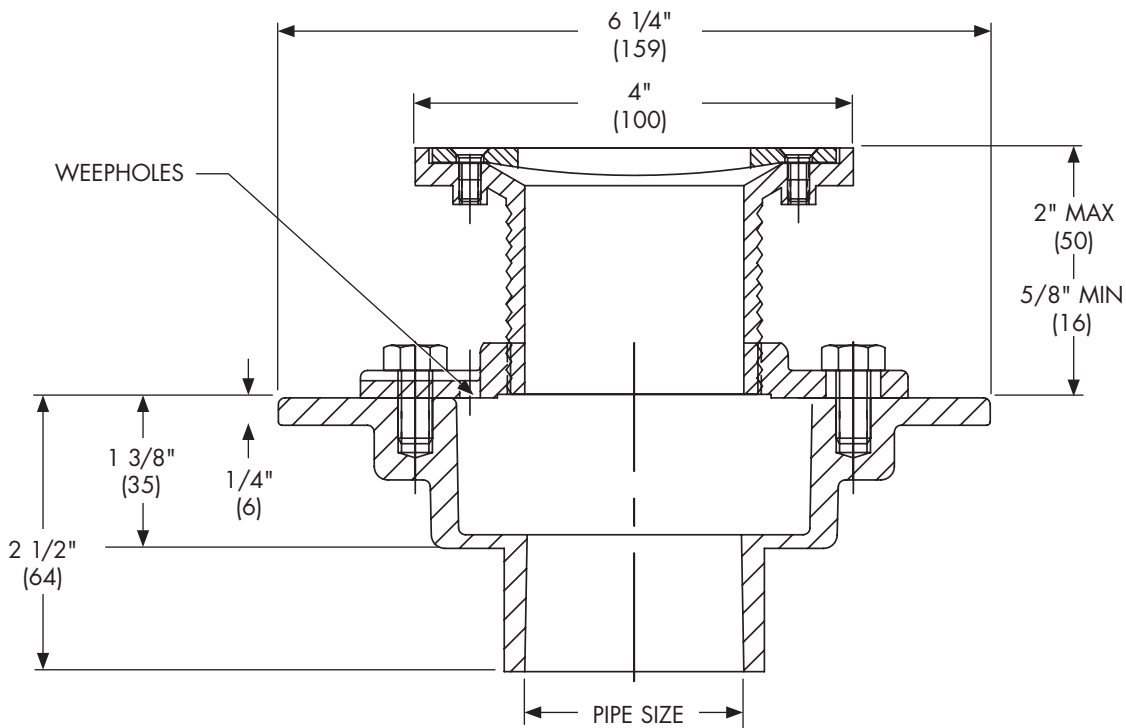
Tag: _____

Heavy Duty Shower Floor Drain

PROLINE

SPECIFICATION: Watts ProLine SDCP/SDNB PVC, ABS, or epoxy coated cast iron shower drain with heavy duty chrome plated brass or nickel bronze strainer assembly.

Pipe Sizing (Select One)		
Suffix	Description	
-2PVC	2" PVC	<input type="checkbox"/>
-2ABS	2" ABS	<input type="checkbox"/>
-2NH	2" No Hub	<input type="checkbox"/>
-2THD	2" Threaded	<input type="checkbox"/>
-SQ	4" Square Top (NB only)	<input type="checkbox"/>



Job Name _____

Contractor _____

Job Location _____

Contractor's P.O. No. _____

Engineer _____

Representative _____

Watts product specifications in U.S. customary units and metric are approximate and are provided for reference only. For precise measurements, please contact Watts Technical Service. Watts reserves the right to change or modify product design, construction, specifications, or materials without prior notice and without incurring any obligation to make such changes and modifications on Watts products previously or subsequently sold.

USA: Tel: (800) 338-2581 • Fax: (828) 248-3929 • Watts.com
Canada: Tel: (905) 332-4090 • Fax: (905) 332-7068 • Watts.ca
Latin America: Tel: (52) 81-1001-8600 • Fax: (52) 81-8000-7091 • Watts.com

