



SD

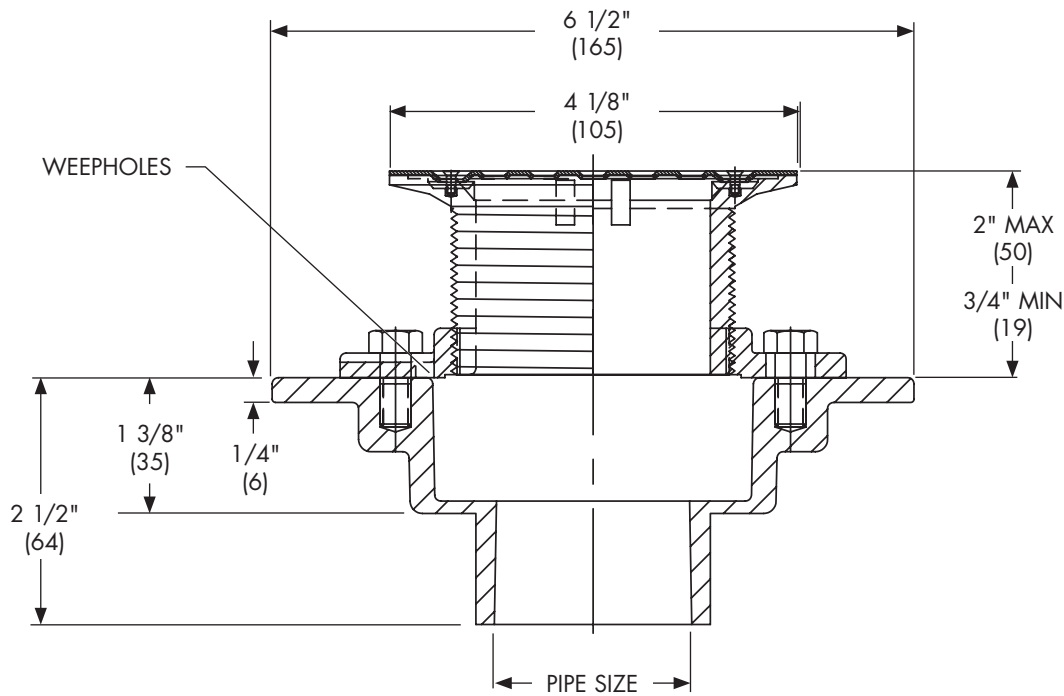
Shower Floor Drain

Tag: _____

SPECIFICATION: Watts ProLine SD PVC, ABS, or cast iron shower floor drain with stainless steel safety grate.

Pipe Sizing (Select One)		
Suffix	Description	
-2PVC	2" PVC	<input type="checkbox"/>
-2ABS	2" ABS	<input type="checkbox"/>
-2NH	2" No Hub	<input type="checkbox"/>
-2THD	2" Threaded	<input type="checkbox"/>

Options (Select One or More)		
Suffix	Description	
-PB	Polished Brass Gate	<input type="checkbox"/>



Job Name _____

Contractor _____

Job Location _____

Contractor's P.O. No. _____

Engineer _____

Representative _____

Watts product specifications in U.S. customary units and metric are approximate and are provided for reference only. For precise measurements, please contact Watts Technical Service. Watts reserves the right to change or modify product design, construction, specifications, or materials without prior notice and without incurring any obligation to make such changes and modifications on Watts products previously or subsequently sold.

USA: Tel: (800) 338-2581 • Fax: (828) 248-3929 • Watts.com
Canada: Tel: (905) 332-4090 • Fax: (905) 332-7068 • Watts.ca
Latin America: Tel: (52) 81-1001-8600 • Fax: (52) 81-8000-7091 • Watts.com



A Watts Water Technologies Company