

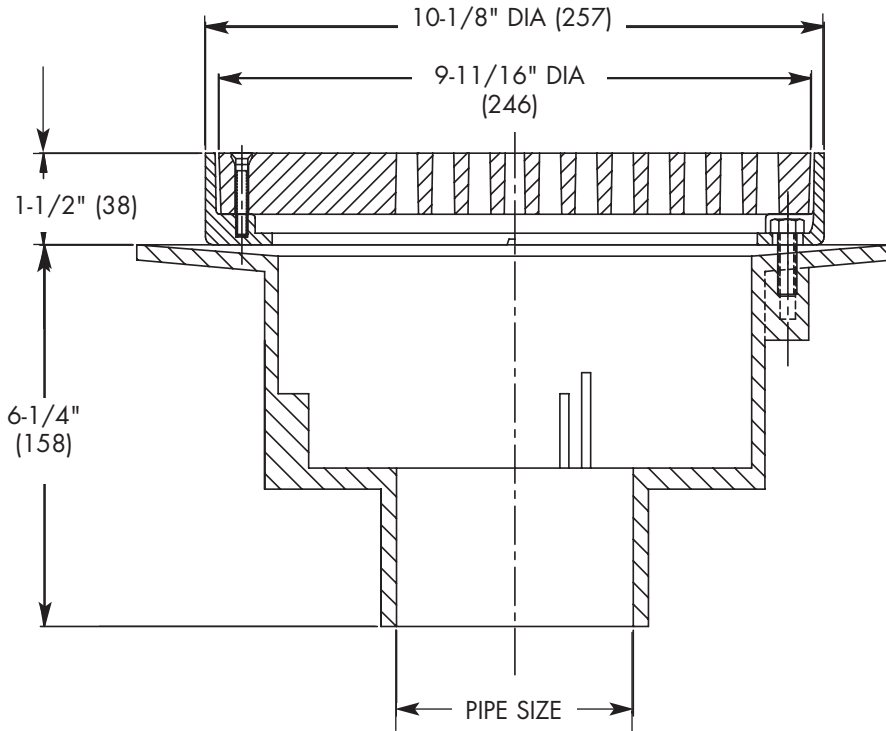


Tag: FD67

**PVC or ABS Drain  
w/10" Fixed Top**

**PROLINE**

**SPECIFICATION:** Watts ProLine FD-67 PVC or ABS area drain with 10" round PVC fixed top assembly.



Pipe Sizing (Select One)	
Suffix	Description
-2PVC	2" PVC <input type="checkbox"/>
-2ABS	2" ABS <input type="checkbox"/>
-3PVC	3" PVC <input type="checkbox"/>
-3ABS	3" ABS <input type="checkbox"/>
-4PVC	4" PVC <input type="checkbox"/>
-4ABS	4" ABS <input type="checkbox"/>
-6PVC	6" PVC <input type="checkbox"/>
Options (Select One or More)	
-2G	1/2 Grate <input type="checkbox"/>
-B	Sediment Bucket <input type="checkbox"/>
-BV	Backwater Valve <input type="checkbox"/>
-G	CI Round Funnel <input type="checkbox"/>
-GNB	NB Round Funnel <input type="checkbox"/>
-H	CI Oval Funnel <input type="checkbox"/>
-HNB	NB Oval Funnel <input type="checkbox"/>
-TPT	Trap Primer Tapping <input type="checkbox"/>
-VP	Vandal Proof Screws <input type="checkbox"/>

Job Name \_\_\_\_\_ Contractor \_\_\_\_\_

Job Location \_\_\_\_\_ Contractor's P.O. No. \_\_\_\_\_

Engineer \_\_\_\_\_ Representative \_\_\_\_\_

WATTS Drainage reserves the right to modify or change product design or construction without prior notice and without incurring any obligation to make similar changes and modifications to products previously or subsequently sold. See your WATTS Drainage representative for any clarification. Dimensions are subject to manufacturing tolerances.



**Specification Drainage Products**

USA: 100 Watts Road, Spindale, NC, 28160-2298; TEL: 828-288-2179 TOLL-FREE: 1-800-338-2581 www.watts.com  
Canada: 5435 North Service Rd., Burlington, ONT. L7L 5H7; www.wattscanada.ca