



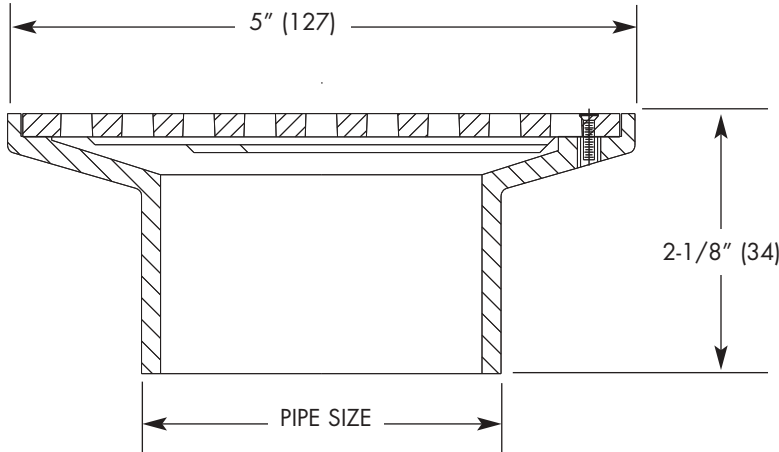
FD5

Tag: _____

General Purpose Floor Drain

PROLINE

SPECIFICATION: Watts ProLine FD5 PVC, ABS, or cast iron general purpose floor drain with secured ductile iron or nickel bronze grate.



Pipe Sizing (Select One)		
Suffix	Description	
-2PVC	2" PVC	<input type="checkbox"/>
-2ABS	2" ABS	<input type="checkbox"/>
-2NH	2" No Hub	<input type="checkbox"/>
-3PVC	3" PVC	<input type="checkbox"/>
-3ABS	3" ABS	<input type="checkbox"/>
-3NH	3" No Hub	<input type="checkbox"/>
-4PVC	4" PVC	<input type="checkbox"/>
-4ABS	4" ABS	<input type="checkbox"/>
-4NH	4" No Hub	<input type="checkbox"/>

Options (Select One or More)		
Suffix	Description	
-NB	Nickel Bronze Grate	<input type="checkbox"/>
-VP	Vandal Proof Screws	<input type="checkbox"/>

Job Name _____ Contractor _____

Job Location _____ Contractor's P.O. No. _____

Engineer _____ Representative _____

WATTS Drainage reserves the right to modify or change product design or construction without prior notice and without incurring any obligation to make similar changes and modifications to products previously or subsequently sold. See your WATTS Drainage representative for any clarification. Dimensions are subject to manufacturing tolerances.



USA: 100 Watts Road, Spindale, NC, 28160 TEL: 828-288-2179 TOLL-FREE: 1-800-338-2581 Website: www.wattsdrainage.com