

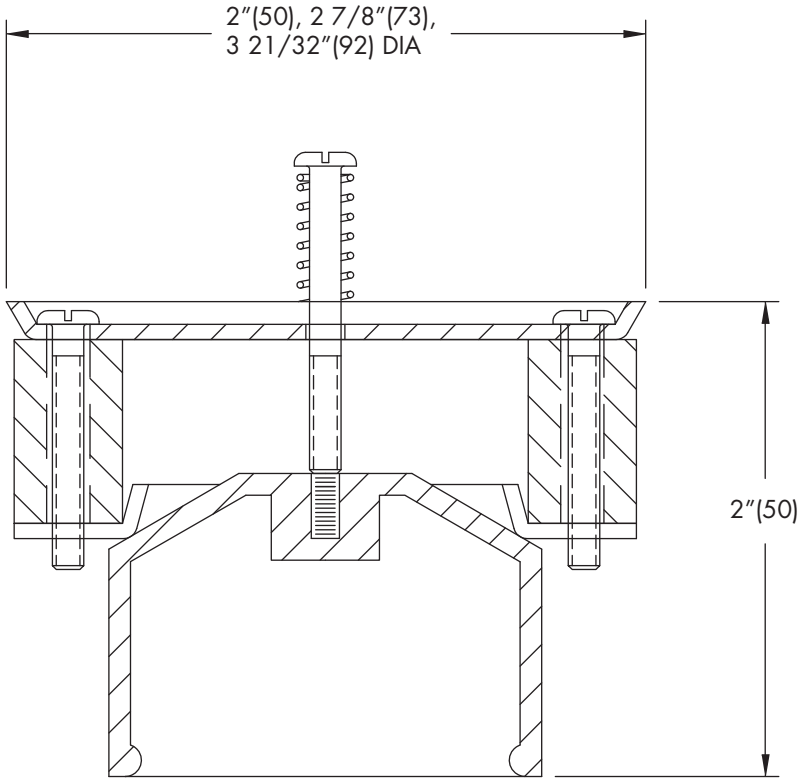


Tag: **BV** _____

Internal Backwater Valve

PROLINE

SPECIFICATION: Watts ProLine BV bronze backwater valve with neoprene seal and float, stainless steel light tension spring.



Pipe Sizing (Select One)		
Suffix	Description	
-2	2"	<input type="checkbox"/>
-3	3"	<input type="checkbox"/>
-4	4"	<input type="checkbox"/>

Job Name _____ Contractor _____

Job Location _____ Contractor's P.O. No. _____

Engineer _____ Representative _____

WATTS Drainage reserves the right to modify or change product design or construction without prior notice and without incurring any obligation to make similar changes and modifications to products previously or subsequently sold. See your WATTS Drainage representative for any clarification. Dimensions are subject to manufacturing tolerances.



Specification Drainage Products

USA: 100 Watts Road, Spindale, NC, 28160-2298; TEL: 828-288-2179 TOLL-FREE: 1-800-338-2581 www.watts.com