



WSD2

Tag: _____

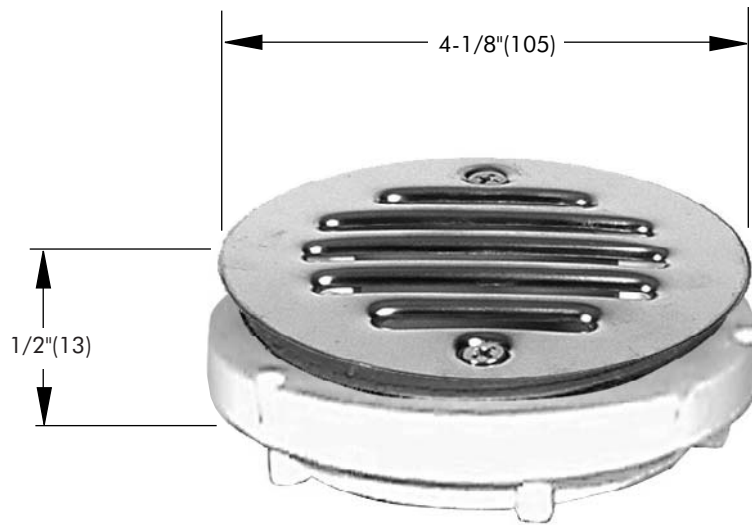
Low Profile Shower Pan Drain

FUNCTION: Comes with gasket & slip ring.

Order Code: WSD2 -

Ex. WSD2-ABS

Body Type (Select One)	
Suffix	Description
ABS	ABS Body w/ Stainless Steel Grate <input type="checkbox"/>
PVC	PVC Body w/ Stainless Steel Grate <input type="checkbox"/>



Job Name _____ Contractor _____

Job Location _____ Contractor's P.O. No. _____

Engineer _____ Representative _____

WATTS Drainage reserves the right to modify or change product design or construction without prior notice and without incurring any obligation to make similar changes and modifications to products previously or subsequently sold. See your WATTS Drainage representative for any clarification. Dimensions are subject to manufacturing tolerances.



CANADA: 5435 North Service Road, Burlington, ON, L7L 5H7 TEL: 905-332-6718 TOLL-FREE: 1-888-208-8927 Website: www.wattsdrainage.ca

