



WSD-THD

Tag: _____

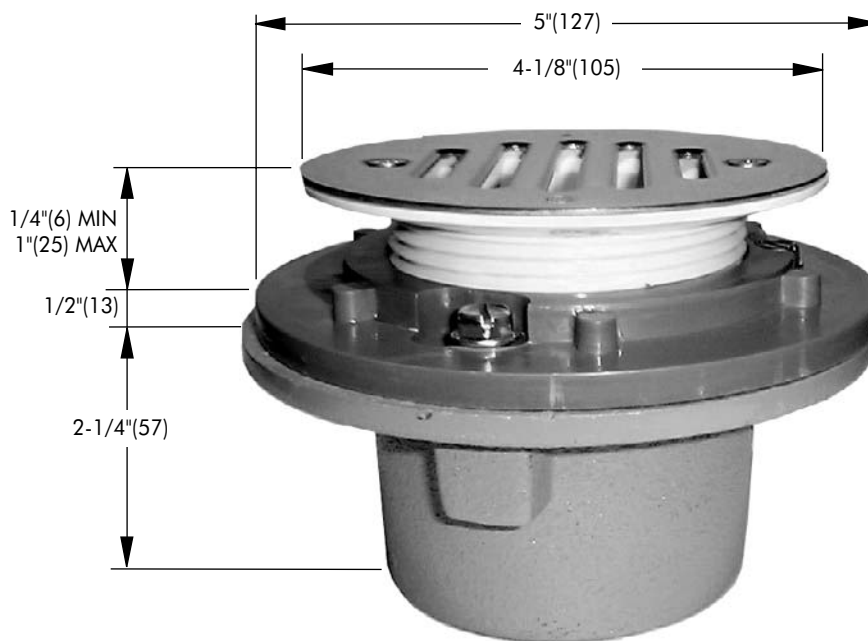
Shower Drain

SPECIFICATION: Watts Drainage Products WSD-THD threaded cast iron body with adjustable stainless steel strainer.

Order Code: **WSD-**-THD

Ex. **WSD-2-THD**

Pipe Sizing (Select One)		
Suffix	Description	
11-2	1-1/2"(38) Pipe Size	<input type="checkbox"/>
2	2"(51) Pipe Size	<input type="checkbox"/>



Job Name _____ Contractor _____

Job Location _____ Contractor's P.O. No. _____

Engineer _____ Representative _____

WATTS Drainage reserves the right to modify or change product design or construction without prior notice and without incurring any obligation to make similar changes and modifications to products previously or subsequently sold. See your WATTS Drainage representative for any clarification. Dimensions are subject to manufacturing tolerances.



CANADA: 5435 North Service Road, Burlington, ON, L7L 5H7 TEL: 905-332-6718 TOLL-FREE: 1-888-208-8927 Website: www.wattsdrainage.ca



© Watts Drainage 2004