



**WFD**

Tag: \_\_\_\_\_

**Economy Floor Drain**

**FUNCTION:** Recommended for installation in areas without water proofing membrane. Specify nickel bronze option (-NB) where area subject to pedestrian traffic.

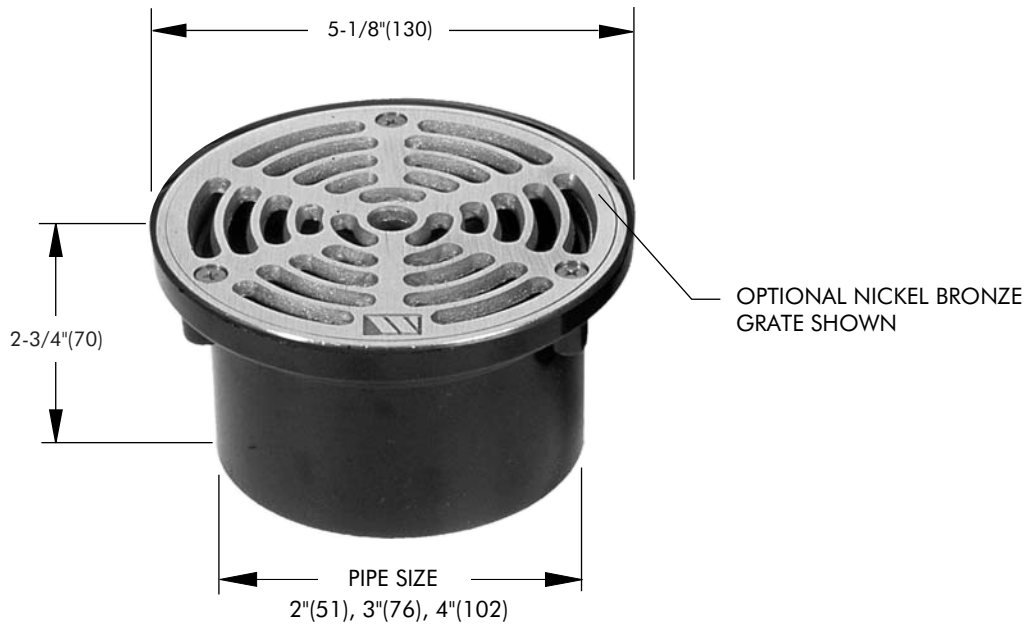
Order Code: **WFD** -  -  -

Ex. **WFD-2ABS**

Pipe Sizing (Select One)		
Suffix	Description	
2	2"(51) Pipe Size (ABS Only)	<input type="checkbox"/>
3	3"(76) Pipe Size	<input type="checkbox"/>
4	4"(102) Pipe Size	<input type="checkbox"/>

Body Type (Select One)		
Suffix	Description	
ABS	Economy ABS Floor Drain	<input type="checkbox"/>
PVC	Economy PVC Floor Drain	<input type="checkbox"/>

Grate Type (Select One)		
Suffix	Description	
No Suffix	Cast Iron (Standard)	<input type="checkbox"/>
NB	Nickel Bronze	<input type="checkbox"/>



Job Name \_\_\_\_\_ Contractor \_\_\_\_\_

Job Location \_\_\_\_\_ Contractor's P.O. No. \_\_\_\_\_

Engineer \_\_\_\_\_ Representative \_\_\_\_\_

WATTS Drainage reserves the right to modify or change product design or construction without prior notice and without incurring any obligation to make similar changes and modifications to products previously or subsequently sold. See your WATTS Drainage representative for any clarification. Dimensions are subject to manufacturing tolerances.



CANADA: 5435 North Service Road, Burlington, ON, L7L 5H7 TEL: 905-332-6718 TOLL-FREE: 1-888-208-8927 Website: www.wattsdrainage.ca

