

For Commercial & Residential

Job Name _____
 Job Location _____
 Engineer _____
 Approval _____
 Tag _____

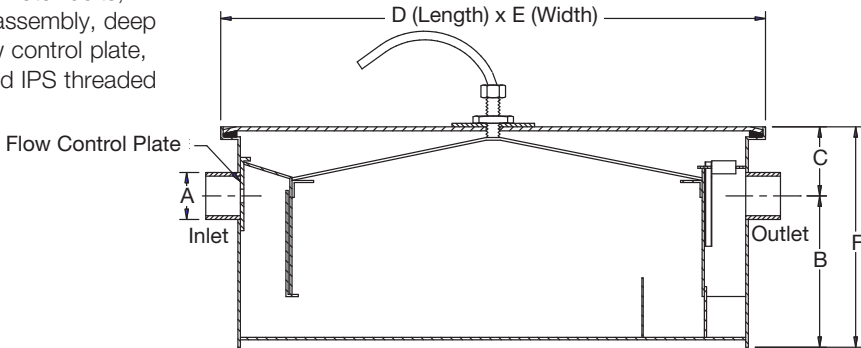
Contractor _____
 Approval _____
 Contractor's P.O. No. _____
 Representative _____

WD-LA Series

Low Rough-in Semi-Automatic Draw-Off Grease Interceptor

Specification

Watts Drainage WD-LA Series floor mounted epoxy coated steel low-rough-in semi-automatic draw-off grease interceptor with gasketed epoxy coated steel cover, hex head perimeter bolts, removable grease accumulating cover and baffle assembly, deep seal trap with cleanout, internal stainless steel flow control plate, flexible draw-off hose, outlet line shut-off valve, and IPS threaded connections.



Flow Rate (Select One)		
Suffix	Description	
20	20 GPM	<input type="checkbox"/>
25	25 GPM	<input type="checkbox"/>
35	35 GPM	<input type="checkbox"/>
50	50 GPM	<input type="checkbox"/>

Options (Select One or More)		
Suffix	Description	
-O	Inlet & Outlet other than Standard Size	<input type="checkbox"/>
-SS	Stainless Steel	<input type="checkbox"/>

NOTICE

The information contained herein is not intended to replace the full product installation and safety information available or the experience of a trained product installer. You are required to thoroughly read all installation instructions and product safety information before beginning the installation of this product.

Interceptor Catalog Number	Flow Rate GPM	Grease Capacity Lbs.	A Inlet & Outlet	B Base to Center	C Top to Center	D Length	E Width	F Height
WD-20-LA	20	40	3"(76)	7 3/4"(197)	4"(102)	35"(889)	23"(584)	12"(305)
WD-25-LA	25	50	3"(76)	7"(178)	5"(127)	39 1/2"(1002)	26 1/2"(673)	12"(305)
WD-35-LA	35	70	4"(102)	7"(178)	4 1/2"(114)	41"(1041)	33"(838)	12"(305)
WD-50-LA	50	100	4"(102)	8 1/2"(216)	5 1/2"(140)	55"(1397)	33"(838)	14"(356)

Watts product specifications in U.S. customary units and metric are approximate and are provided for reference only. For precise measurements, please contact Watts Technical Service. Watts reserves the right to change or modify product design, construction, specifications, or materials without prior notice and without incurring any obligation to make such changes and modifications on Watts products previously or subsequently sold.



USA: T: (800) 338-2581 • F: (978) 975-8350 • Watts.com
Canada: T: (905) 332-4090 • F: (905) 332-7068 • Watts.ca
Latin America: T: (52) 81-1001-8600 • Watts.com