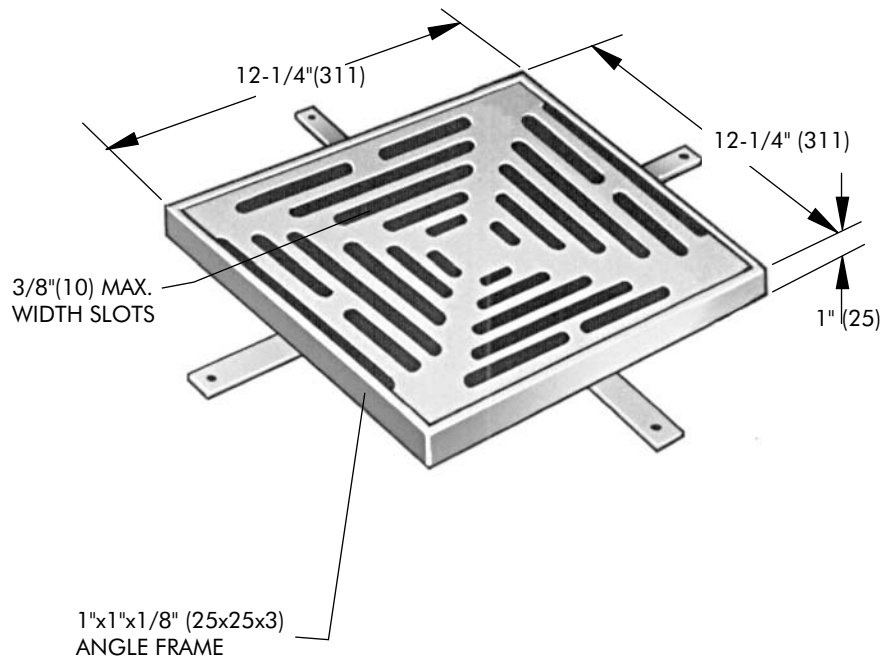


SPECIFICATION: Watts Drainage Products TD-900-B 12"(305)x12"(305) wide heavy duty epoxy coated ductile iron trench grating with epoxy coated steel anchor frame.

FUNCTION: For installation in garages, parking areas, ramps, tunnels, process areas subject to both vehicular and pedestrian traffic.



Order Code: TD-900- -

Ex. TD-900-B2-4-1

Pieces (Select One)	
Suffix	Description
B1	1 Piece <input type="checkbox"/>
B2	2 Piece <input type="checkbox"/>
B3	3 Piece <input type="checkbox"/>
Bx	Specify x: _____ <input type="checkbox"/>

Grate (Select One)	
Suffix	Description
-4	Ductile Iron Grate w/ Steel Frame <input type="checkbox"/>
-4-1	Ductile Iron Grate w/ NB Veneer & Frame <input type="checkbox"/>
-4-3	Ductile Iron Grate w/ Stainless Steel Veneer & Frame <input type="checkbox"/>
-28	All Solid Stainless Steel Grate & Frame <input type="checkbox"/>

Option (Select One or More)	
Suffix	Description
-6	Vandal proof <input type="checkbox"/>
-10	Secured Top <input type="checkbox"/>
-13	Galvanized Grate & Frame <input type="checkbox"/>

Load Rating & Free Area

Load Rating	Free Area Sq. In.
*XHD	41/ft

* The load classifications are in accordance with the American National Standards ASME A112.21.1M ASME Ratings are as follows:
XHD - Safe Live Load 7500-10000 lbs.(3375-4500kg)
The above categories are given as a guide only. Please consult factory.

Job Name _____ Contractor _____

Job Location _____ Contractor's P.O. No. _____

Engineer _____ Representative _____

WATTS Drainage reserves the right to modify or change product design or construction without prior notice and without incurring any obligation to make similar changes and modifications to products previously or subsequently sold. See your WATTS Drainage representative for any clarification. Dimensions are subject to manufacturing tolerances.