

## For Commercial Applications

Job Name \_\_\_\_\_  
 Job Location \_\_\_\_\_  
 Engineer \_\_\_\_\_  
 Approval \_\_\_\_\_  
 Tag \_\_\_\_\_

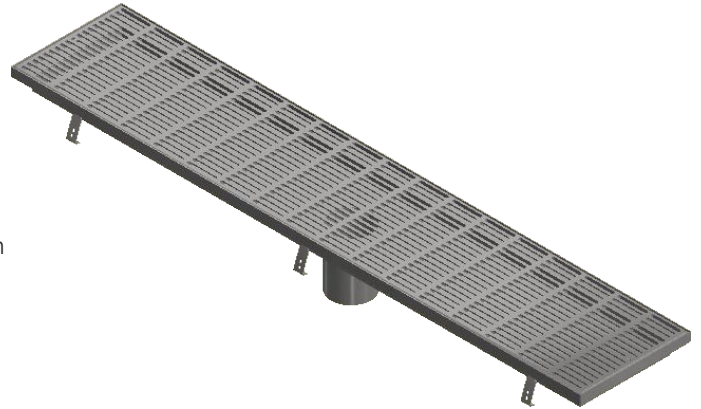
Contractor \_\_\_\_\_  
 Approval \_\_\_\_\_  
 Contractor's P.O. No. \_\_\_\_\_  
 Representative \_\_\_\_\_

# TD-300

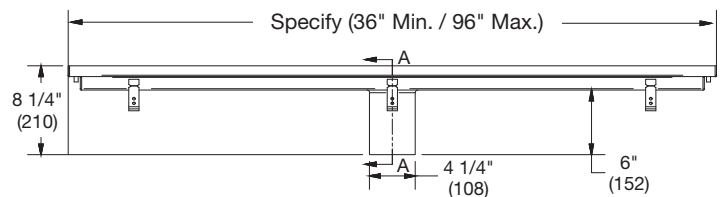
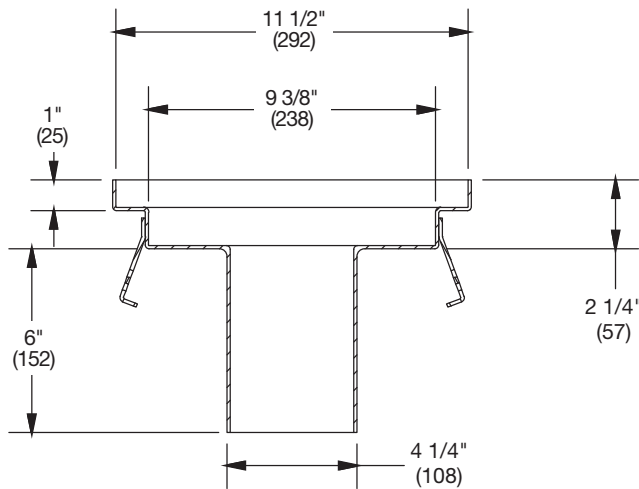
## Elevator Channel Drain

### Specification

Watts TD-300 Elevator Channel Drain with 11 3/4"(298) wide x (specify) long 12 ga. type 304 stainless steel body, heel proof and ADA compliant load class A stainless steel grating with grate open area of 65 sq. in. per foot is secured with vandal-proof stainless steel screws, and 4"(102) no hub center outlet. Complies with 2013 California Building Code 403.6.1, 403.6.2, 3007.4, 3008.4, and SFFC Section 511.1.4 for a flow rate of 100 GPM.



Options (Select One or More)		
Suffix	Description	
-06	6"(152) No Hub Outlet	<input type="checkbox"/>
-XO	Specify Outlet Position	<input type="checkbox"/>



**NOTICE**

The information contained herein is not intended to replace the full product installation and safety information available or the experience of a trained product installer. You are required to thoroughly read all installation instructions and product safety information before beginning the installation of this product.

Watts product specifications in U.S. customary units and metric are approximate and are provided for reference only. For precise measurements, please contact Watts Technical Service. Watts reserves the right to change or modify product design, construction, specifications, or materials without prior notice and without incurring any obligation to make such changes and modifications on Watts products previously or subsequently sold.



**USA:** T: (800) 338-2581 • F: (828) 248-3929 • Watts.com  
**Canada:** T: (905) 332-4090 • F: (905) 332-7068 • Watts.ca  
**Latin America:** T: (52) 81-1001-8600 • Watts.com