



TCOPCS
Tag: _____

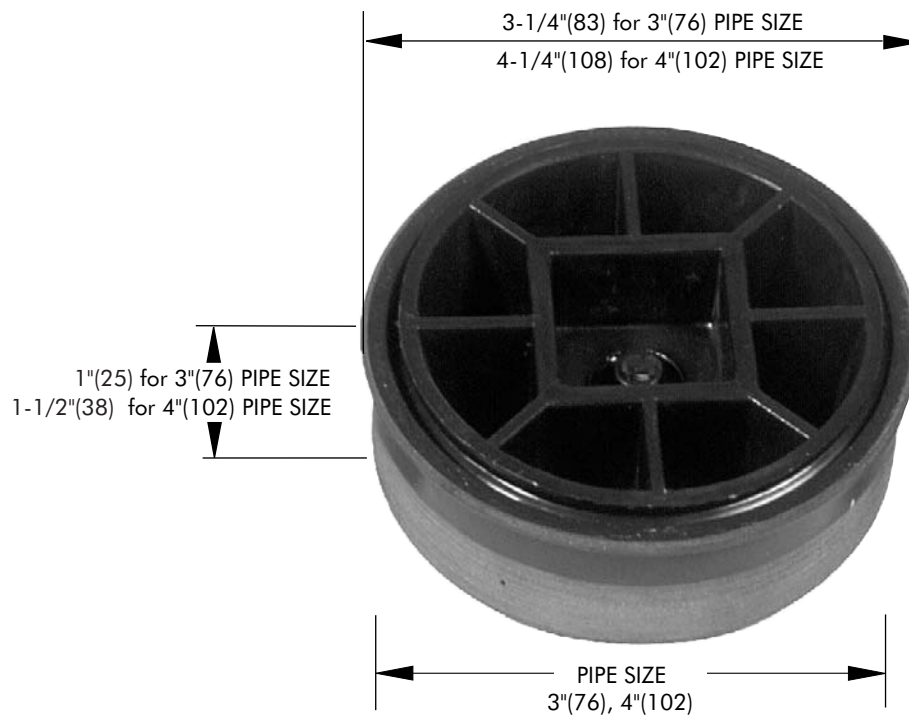
Flush Mount Cleanout & Test Plug

SPECIFICATION: Watts Drainage Products TCOPCS combination cleanout and test plug with countersunk square top.

Order Code: **TCOPCS**

Ex. **TCOPCS3**

| Pipe Size (Select One) | |
|------------------------|--|
| Suffix | Description |
| 3 | 3"(76) Pipe Size <input type="checkbox"/> |
| 4 | 4"(102) Pipe Size <input type="checkbox"/> |



Job Name _____ Contractor _____

Job Location _____ Contractor's P.O. No. _____

Engineer _____ Representative _____

WATTS Drainage reserves the right to modify or change product design or construction without prior notice and without incurring any obligation to make similar changes and modifications to products previously or subsequently sold. See your WATTS Drainage representative for any clarification. Dimensions are subject to manufacturing tolerances.



CANADA: 5435 North Service Road, Burlington, ON, L7L 5H7 TEL: 905-332-6718 TOLL-FREE: 1-888-208-8927 Website: www.wattsdrainage.ca

