

SPECIFICATION: Watts Drainage Products SS SERIES pre-charged all stainless steel shock absorber with male IPS connection.

OPERATING PRESSURE: Designed to operate on all domestic and commercial lines up to 200 PSI working pressure.

TEMPERATURE RANGE: -100 F to 300 F (-73 C to 572 C)

INSTALLATION: May be installed in new or existing plumbing systems with a standard pipe tee.

CONSTRUCTION:

Bellows Content: Precharge with air

Casing: Stainless Steel

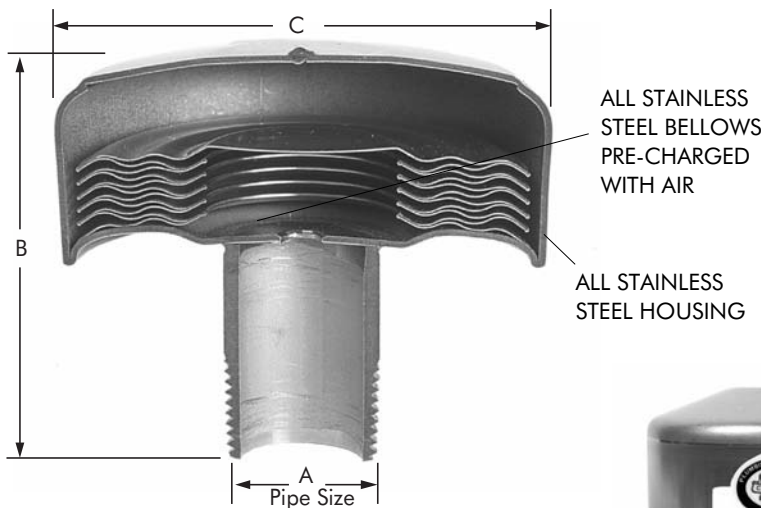
Bellow: Stainless Steel

Connection: Male NPT Thread

Order Code: **WSS-**

Ex. WSS-C

Model Type (Select One)		
Suffix	Description	
A	Conn. Size 3/4"(19), Height 3-1/4"(83)	<input type="checkbox"/>
B	Conn. Size 1"(25), Height 4-1/4"(118)	<input type="checkbox"/>
C	Conn. Size 1"(25), Height 5-3/4"(146)	<input type="checkbox"/>
D	Conn. Size 1"(25), Height 6-1/2"(165)	<input type="checkbox"/>
E	Conn. Size 1"(25), Height 6-3/4"(171)	<input type="checkbox"/>
F	Conn. Size 1"(25), Height 7-1/4"(184)	<input type="checkbox"/>



	SHOK-GARD Technical Data					
	SG-A	SG-B	SG-C	SG-D	SG-E	SG-F
Fixture Unit	1-11	12-32	33-60	61-113	114-154	155-330
"A" connection	3/4" (19)	1"(25)	1"(25)	1"(25)	1"(25)	1"(25)
"B" height	3-1/4"(83)	4-1/4"(118)	5-3/4"(130)	6-1/2"(163)	6-3/4"(171)	7-1/4"(197)
"C" diameter	3-1/4"(83)	3-1/4"(83)	3-1/4"(83)	3-1/4"(83)	5"(127)	5"(127)

Job Name _____ Contractor _____

Job Location _____ Contractor's P.O. No. _____

Engineer _____ Representative _____

WATTS Drainage reserves the right to modify or change product design or construction without prior notice and without incurring any obligation to make similar changes and modifications to products previously or subsequently sold. See your WATTS Drainage representative for any clarification. Dimensions are subject to manufacturing tolerances.