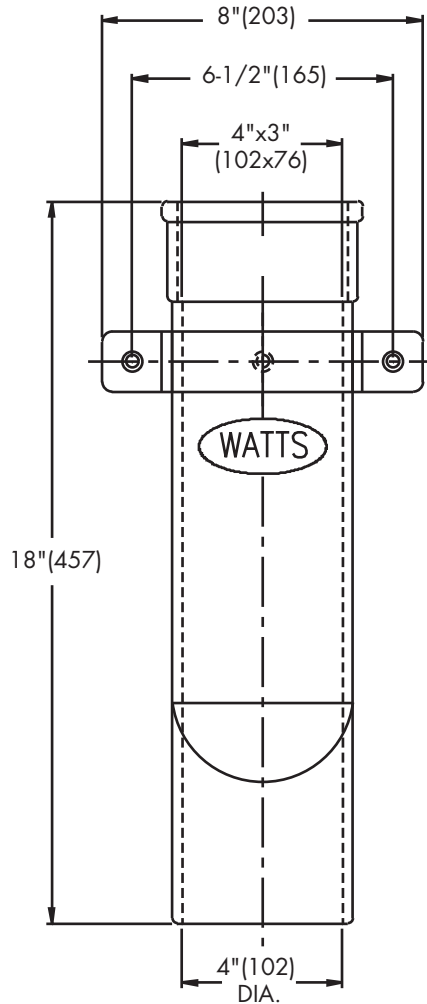





RD-970  
Tag: \_\_\_\_\_

4"x3" Downspout Boot

**SPECIFICATION:** Watts Drainage Products RD-970 4"x3"x18" long epoxy coated cast iron downspout boot with countersunk securing strap, and 4" no hub pipe connection.



Options (Select One or More)	
Suffix	Description
-US	Buy American Compliant  <input type="checkbox"/>

Job Name \_\_\_\_\_ Contractor \_\_\_\_\_

Job Location \_\_\_\_\_ Contractor's P.O. No. \_\_\_\_\_

Engineer \_\_\_\_\_ Representative \_\_\_\_\_

WATTS Drainage reserves the right to modify or change product design or construction without prior notice and without incurring any obligation to make similar changes and modifications to products previously or subsequently sold. See your WATTS Drainage representative for any clarification. Dimensions are subject to manufacturing tolerances.



Specification Drainage Products

USA: 100 Watts Road, Spindale, NC, 28160-2298; TEL: 828-288-2179 TOLL-FREE: 1-800-338-2581 www.watts.com