

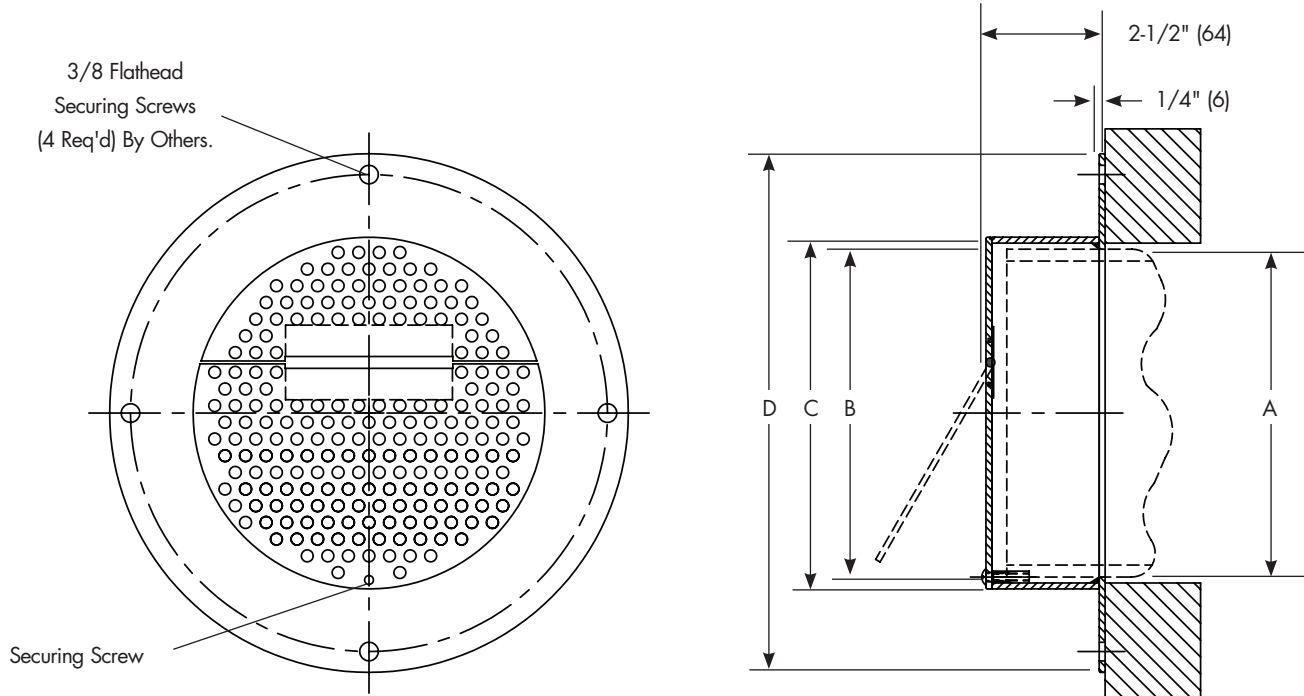


RD-950

Tag: _____

**Stainless Steel
Downspout Cover**

SPECIFICATION: Watts Drainage RD-950 round fabricated Type 304 stainless steel downspout cover with securing flange, and secured perforated hinged strainer.



Pipe Size	B	C	D	Free Area Sq. In.
3" (76)	3-1/2" (89)	4-1/4" (108)	7-3/4" (197)	1 (6)
4" (102)	4-1/2" (114)	5-1/4" (133)	8-3/4" (222)	2 (13)
6" (152)	6-5/8" (168)	7-3/8" (187)	10-7/8" (276)	3 (39)
8" (203)	8-5/8" (219)	9-3/8" (238)	12-7/8" (327)	10 (65)
10" (254)	10-3/4" (273)	11-1/2" (292)	15 (381)	18 (116)
12" (305)	12-3/4" (324)	13-1/2" (343)	17" (432)	26 (168)

Options	
Suffix	Description
-6	Vandal Proof <input type="checkbox"/>
-US	Buy American Compliant <input type="checkbox"/>

Job Name _____ Contractor _____

Job Location _____ Contractor's P.O. No. _____

Engineer _____ Representative _____

WATTS Drainage reserves the right to modify or change product design or construction without prior notice and without incurring any obligation to make similar changes and modifications to products previously or subsequently sold. See your WATTS Drainage representative for any clarification. Dimensions are subject to manufacturing tolerances.



Specification Drainage Products

USA: 100 Watts Road, Spindale, NC, 28160-2298; TEL: 828-288-2179 TOLL-FREE: 1-800-338-2581 www.watts.com