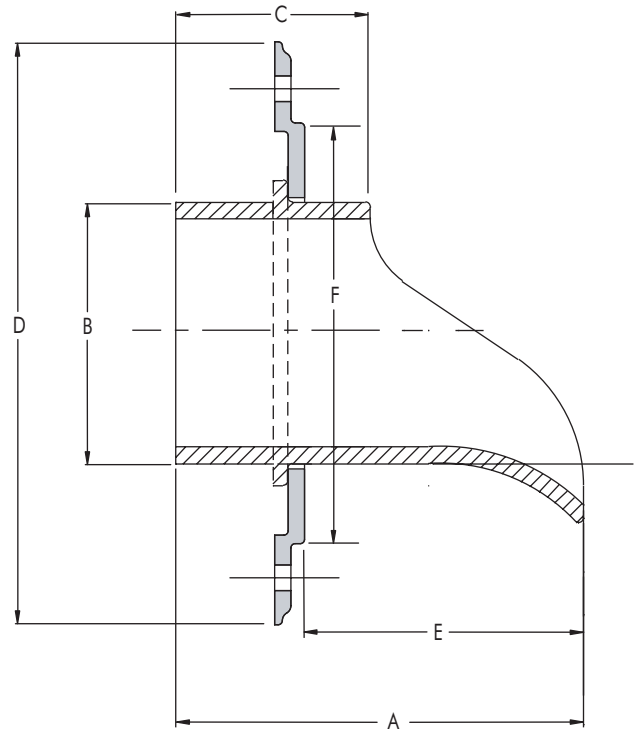


SPECIFICATION: Watts Drainage Products RD-940 no hub cast nickel bronze no hub (standard) downspout nozzle with anchor flange and pre-drilled counter-sunk mounting holes.

Order Code: **RD-94**

Ex. RD-942

Pipe Sizing (Select One)		
Suffix	Description	
3	3"(76) Pipe Size	<input type="checkbox"/>
4	4"(102) Pipe Size	<input type="checkbox"/>
6	6"(152) Pipe Size	<input type="checkbox"/>
8	8"(203) Pipe Size	<input type="checkbox"/>



MODEL	A	B	C	D	E	F
RD-943	5-1/4"(133)	4"(102)	2-1/2"(64)	6-3/8"(162)	3-1/2"(89)	6-3/8"(162)
RD-944	5-1/4"(133)	5"(127)	2-3/4"(70)	7"(178)	3-1/2"(89)	7"(178)
RD-946	5-1/4"(133)	7-1/4"(184)	2-3/4"(70)	9"(229)	3-1/2"(89)	9"(229)
RD-948	6"(152)	9-1/4"(235)	3"(76)	11"(279)	4"(102)	11"(279)

Job Name _____ Contractor _____

Job Location _____ Contractor's P.O. No. _____

Engineer _____ Representative _____

WATTS Drainage reserves the right to modify or change product design or construction without prior notice and without incurring any obligation to make similar changes and modifications to products previously or subsequently sold. See your WATTS Drainage representative for any clarification. Dimensions are subject to manufacturing tolerances.