

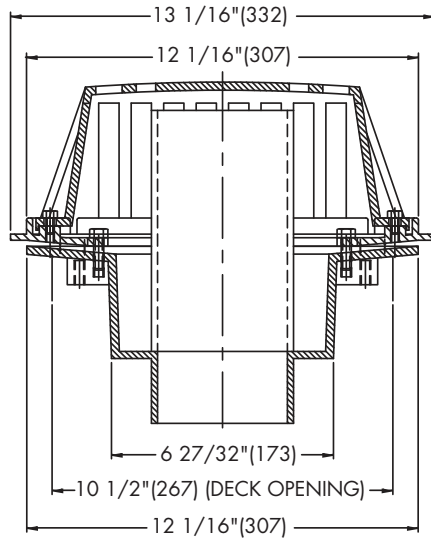
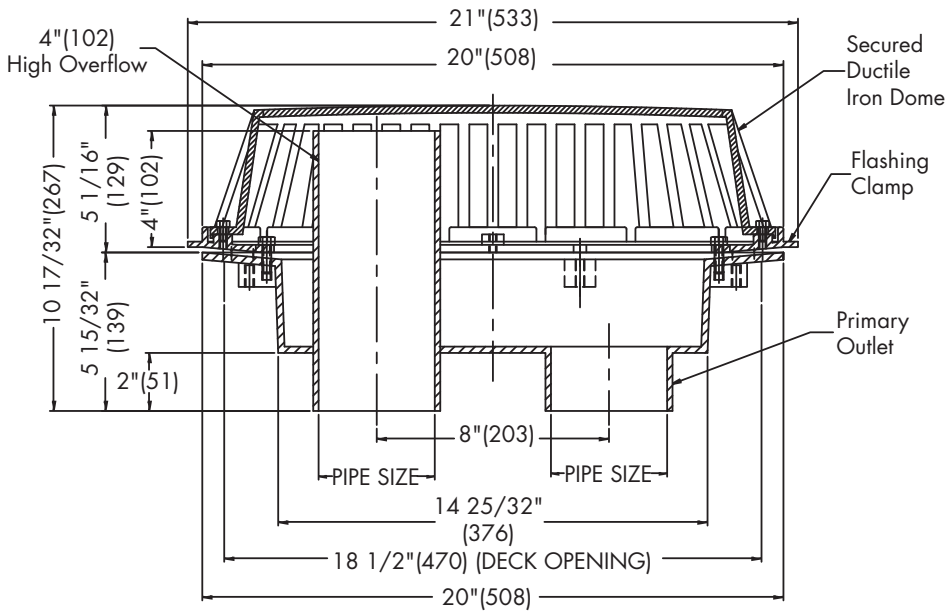


RD-700

Tag: \_\_\_\_\_

### Dual Outlet Roof Drain/Overflow

**SPECIFICATION:** Watts Drainage RD-700 epoxy coated cast iron dual outlet roof drain/overflow combination with flashing clamp, integral gravel stop, 4" (102) high internal overflow standpipe, secured ductile iron dome, secured ductile iron dome, and no hub outlets.



Pipe Sizing (Select One)		
Suffix	Description	
3	3" (76) Pipe Size	<input type="checkbox"/>
4	4" (102) Pipe Size	<input type="checkbox"/>
5	5" (127) Pipe Size	<input type="checkbox"/>
6	6" (152) Pipe Size	<input type="checkbox"/>

Options		
Suffix	Description	
-D	Underdeck Clamp	<input type="checkbox"/>
-F	Deck Flange/Adj. Extension	<input type="checkbox"/>
-GSS	Stainless Steel Ballast Guard	<input type="checkbox"/>
-K80	Aluminum Dome	<input type="checkbox"/>
-K83	SS Mesh Covered Aluminum Dome	<input type="checkbox"/>
-L	Vandal Proof Dome	<input type="checkbox"/>
-W2	2" High Overflow	<input type="checkbox"/>

**Deck Opening:**  
 18-1/2" (470) x 10-1/2" (267)

**with Sump Receiver:**  
 22" (559) x 14" (356)

**Free Area**  
 Sq. In.

157

Job Name \_\_\_\_\_

Contractor \_\_\_\_\_

Job Location \_\_\_\_\_

Contractor's P.O. No. \_\_\_\_\_

Engineer \_\_\_\_\_

Representative \_\_\_\_\_

Watts product specifications in U.S. customary units and metric are approximate and are provided for reference only. For precise measurements, please contact Watts Technical Service. Watts reserves the right to change or modify product design, construction, specifications, or materials without prior notice and without incurring any obligation to make such changes and modifications on Watts products previously or subsequently sold.

**USA:** Tel: (800) 338-2581 • Fax: (828) 248-3929 • Watts.com  
**Canada:** Tel: (905) 332-4090 • Fax: (905) 332-7068 • Watts.ca  
**Latin America:** Tel: (52) 81-1001-8600 • Fax: (52) 81-8000-7091 • Watts.com



A Watts Water Technologies Company