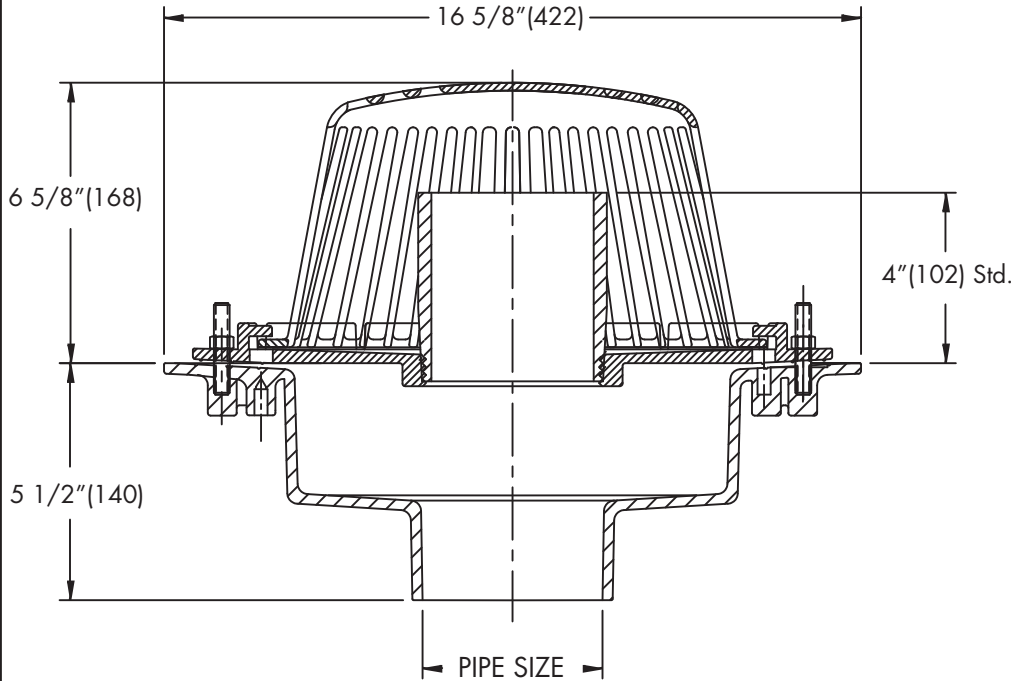




RD-300-W
Tag: _____

**Overflow Roof Drain
with 4" Internal Water Dam**

SPECIFICATION: Watts Drainage RD-300-W epoxy coated cast iron overflow roof drain with flashing clamp with integral 4" (102) high internal standpipe, self-locking polyethylene dome (standard), and no hub (standard) outlet.



Free Area Sq. In.
137

Components	
B15	B15-W
B2-DM	FC-6

Pipe Sizing (Select One)	
Suffix	Description
2	2"(51) Pipe Size (NH Only) <input type="checkbox"/>
3	3"(76) Pipe Size <input type="checkbox"/>
4	4"(102) Pipe Size <input type="checkbox"/>
5	5"(127) Pipe Size (NH Only) <input type="checkbox"/>
6	6"(152) Pipe Size <input type="checkbox"/>
8	8"(203) Pipe Size <input type="checkbox"/>
10	10"(254) Pipe Size (NH Only) <input type="checkbox"/>

Outlet Type (Select One)	
Suffix	Description
NH	No Hub (MJ) <input type="checkbox"/>
P	Push On <input type="checkbox"/>
X	Inside Caulk <input type="checkbox"/>

Options (Select One or More)	
Suffix	Description
-13	Galvanized Body & Flashing Clamp <input type="checkbox"/>
-B	Sump Receiver <input type="checkbox"/>
-D	Deck Clamp <input type="checkbox"/>
-F	Deck Flange/Adj. Extension <input type="checkbox"/>
-GSS	Stainless Steel Ballast Guard <input type="checkbox"/>
-K	Cast Dome <input type="checkbox"/>
-K13	Galvanized Dome <input type="checkbox"/>
-K40	Ductile Iron Low Dome 4"(102) High <input type="checkbox"/>
-K80	Aluminum Dome <input type="checkbox"/>
-K81	Rough Bronze Dome <input type="checkbox"/>
-K83	SS Mesh Covered Dome <input type="checkbox"/>
-L	Vandal Resistant Dome <input type="checkbox"/>
-US	Buy American Compliant <input type="checkbox"/>

Job Name _____
Job Location _____
Engineer _____

Contractor _____
Contractor's P.O. No. _____
Representative _____

Watts product specifications in U.S. customary units and metric are approximate and are provided for reference only. For precise measurements, please contact Watts Technical Service. Watts reserves the right to change or modify product design, construction, specifications, or materials without prior notice and without incurring any obligation to make such changes and modifications on Watts products previously or subsequently sold.

USA: Tel: (800) 338-2581 • Fax: (828) 248-3929 • Watts.com
Canada: Tel: (905) 332-4090 • Fax: (905) 332-7068 • Watts.ca
Latin America: Tel: (52) 81-1001-8600 • Fax: (52) 81-8000-7091 • Watts.com



A Watts Water Technologies Company