

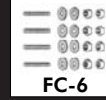


RD-300

Tag: _____

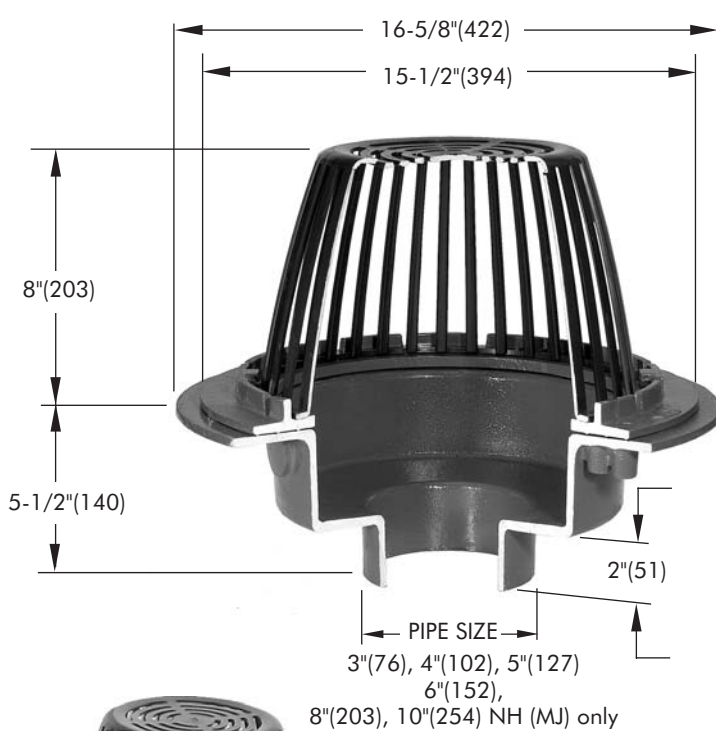
Roof Drain for Large Roof Areas

Components:



SPECIFICATION: Watts Drainage Products RD-300 epoxy cast iron body, with membrane clamp secured with zinc plated and secured poly dome.

FUNCTION: Recommended for installation in roof areas of steel, wood, precast concrete or gypsum decks.

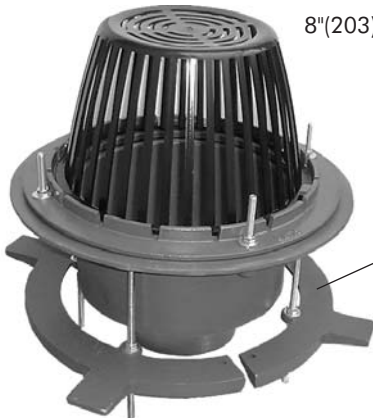


Order Code: RD-300--

Ex. RD-304-W

Pipe Sizing (Select One)	
Suffix	Description
3	3"(76) Pipe Size <input type="checkbox"/>
4	4"(102) Pipe Size <input type="checkbox"/>
5	5"(127) Pipe Size <input type="checkbox"/>
6	6"(152) Pipe Size <input type="checkbox"/>
8	8"(203) Pipe Size <input type="checkbox"/>
10	10"(254) Pipe Size <input type="checkbox"/>

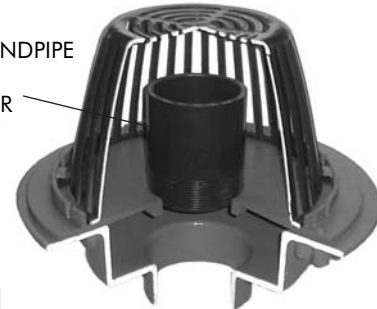
Options (Select One or More)	
Suffix	Description
-B	Sump Receiver Flange <input type="checkbox"/>
-D	Underdeck Clamp <input type="checkbox"/>
-E	Adjustable Extension <input type="checkbox"/>
-K	Ductile Iron Dome <input type="checkbox"/>
-K13	Galvanized Dome <input type="checkbox"/>
-K40	Ductile Iron Low Dome (4" high) <input type="checkbox"/>
-K80	Aluminum Dome <input type="checkbox"/>
-K81	Bronze Dome <input type="checkbox"/>
-L	Vandal Proof Dome <input type="checkbox"/>
-R	2" External Water Dam <input type="checkbox"/>
-W	Adjustable Internal Water Dam <input type="checkbox"/>
-Z	Elastomeric Flange <input type="checkbox"/>



OPTIONAL UNDERDECK CLAMP (2 PIECE)

Free Area Sq. In.
137

OPTIONAL 4" DIA. STANDPIPE SHOWN (6" DIA. FOR 8" AND 10" PIPESIZE)



Deck opening 14-1/2" (368) with sump receiver 18" (457)

Job Name _____ Contractor _____

Job Location _____ Contractor's P.O. No. _____

Engineer _____ Representative _____

WATTS Drainage reserves the right to modify or change product design or construction without prior notice and without incurring any obligation to make similar changes and modifications to products previously or subsequently sold. See your WATTS Drainage representative for any clarification. Dimensions are subject to manufacturing tolerances.



CANADA: 5435 North Service Road, Burlington, ON, L7L 5H7 TEL: 905-332-6718 TOLL-FREE: 1-888-208-8927 Website: www.wattsdrainage.ca

