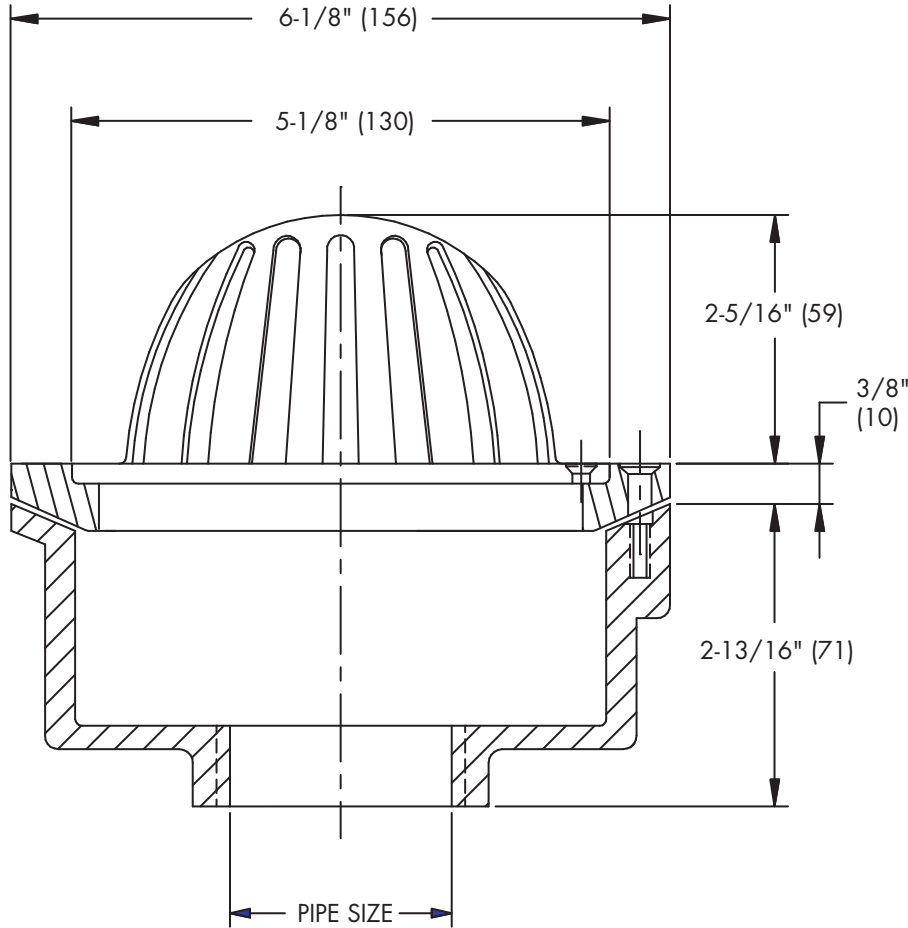




Tag: **RD-240** _____

Bottom Outlet Balcony Drain

SPECIFICATION: Watts Drainage RD-240 epoxy coated cast iron bottom outlet balcony drain with flashing clamp, cast nickel bronze dome strainer, and IPS threaded outlet.



Pipe Sizing (Select One)		
Suffix	Description	
2	2" (51) Pipe Size	<input type="checkbox"/>
3	3" (76) Pipe Size	<input type="checkbox"/>
4	4" (102) Pipe Size	<input type="checkbox"/>

Option (Select One or More)		
Suffix	Description	
-6	Vandal Proof	<input type="checkbox"/>
-13	Galvanized Body & Flashing Clamp	<input type="checkbox"/>
-14	Flat Grate	<input type="checkbox"/>
-83	Stainless Steel Screened Dome	<input type="checkbox"/>
-US	Buy American Compliant	<input type="checkbox"/>

Free Area Sq. In.
12

Job Name _____

Contractor _____

Job Location _____

Contractor's P.O. No. _____

Engineer _____

Representative _____

Watts product specifications in U.S. customary units and metric are approximate and are provided for reference only. For precise measurements, please contact Watts Technical Service. Watts reserves the right to change or modify product design, construction, specifications, or materials without prior notice and without incurring any obligation to make such changes and modifications on Watts products previously or subsequently sold.

USA: Tel: (800) 338-2581 • Fax: (828) 248-3929 • Watts.com
Canada: Tel: (905) 332-4090 • Fax: (905) 332-7068 • Watts.ca
Latin America: Tel: (52) 81-1001-8600 • Fax: (52) 81-8000-7091 • Watts.com



A Watts Water Technologies Company