



RD-240

Tag: _____

**Threaded Bottom Outlet
Balcony Drain**

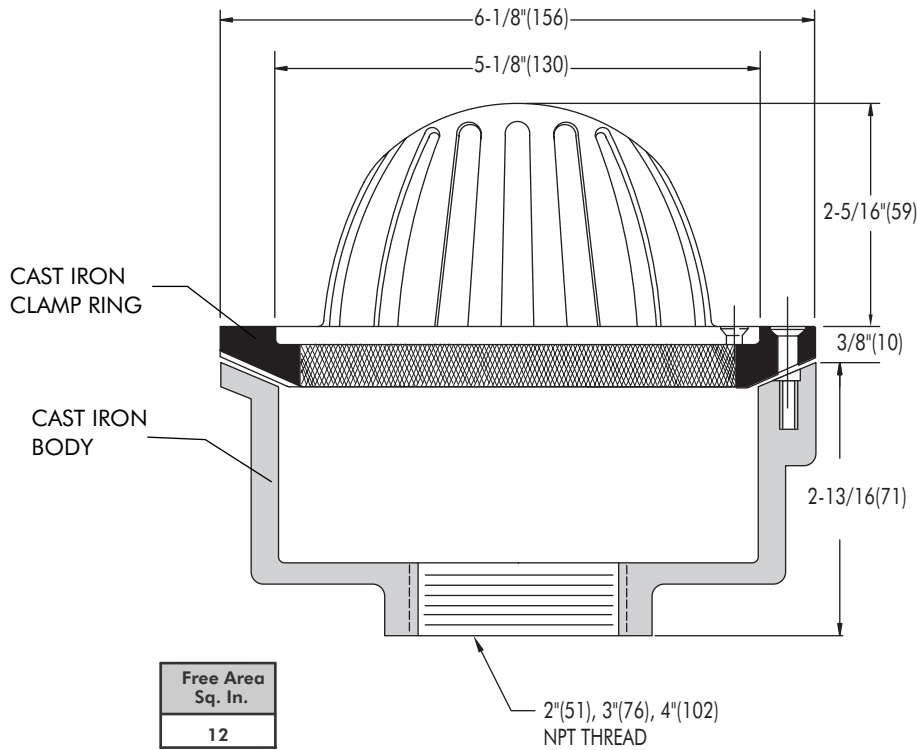
SPECIFICATION: Watts Drainage Products RD-240 epoxy coated cast iron roof drain with cast nickel bronze (standard) dome strainer, cast iron clamp ring, cast iron body and threaded outlet.

Order Code: RD-24 -

Ex. RD-242-13

Pipe Sizing (Select One)		
Suffix	Description	
2	2"(51) Pipe Size	<input type="checkbox"/>
3	3"(76) Pipe Size	<input type="checkbox"/>
4	4"(102) Pipe Size	<input type="checkbox"/>

Options (Select One or More)		
Suffix	Description	
-6	Vandal Proof	<input type="checkbox"/>
-13	Galvanized Body & Flashing Clamp	<input type="checkbox"/>
-14	Flat Grate	<input type="checkbox"/>
-83	Screen Dome	<input type="checkbox"/>
-113M	Special Epoxy from 3M Range	<input type="checkbox"/>



-14 FLAT GRATE
SHOWN (OPTIONAL)

Job Name _____ Contractor _____

Job Location _____ Contractor's P.O. No. _____

Engineer _____ Representative _____

WATTS Drainage reserves the right to modify or change product design or construction without prior notice and without incurring any obligation to make similar changes and modifications to products previously or subsequently sold. See your WATTS Drainage representative for any clarification. Dimensions are subject to manufacturing tolerances.



CANADA: 5435 North Service Road, Burlington, ON, L7L 5H7 TEL: 905-332-6718 TOLL-FREE: 1-888-208-8927 Website: www.wattsdrainage.ca

