

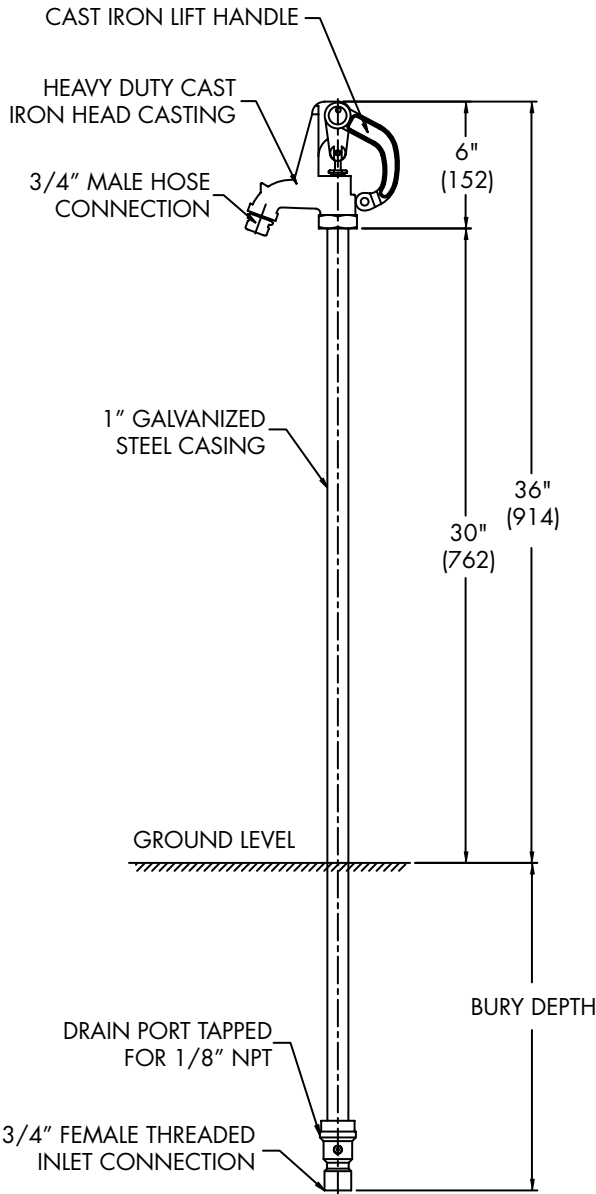


HY-800

Non-Freeze Yard Hydrant

Tag: _____

SPECIFICATION: Watts Drainage HY-800 non-freeze yard hydrant with epoxy coated cast iron head with lift handle and lock option, galvanized casing, bronze internal working parts and valve housing, and 1/8" NPT drain port.



Depth of Bury (Select One)		
Suffix	Description	
-1	1'(305) Depth	<input type="checkbox"/>
-2	2'(610) Depth	<input type="checkbox"/>
-3	3'(914) Depth	<input type="checkbox"/>
-4	4'(1219) Depth	<input type="checkbox"/>
-5	5'(1524) Depth	<input type="checkbox"/>
-6	6'(1829) Depth	<input type="checkbox"/>

NOTICE

The information contained herein is not intended to replace the full product installation and safety information available or the experience of a trained product installer. You are required to thoroughly read all installation instructions and product safety information before beginning the installation of this product

Job Name _____

Contractor _____

Job Location _____

Contractor's P.O. No. _____

Engineer _____

Representative _____

Watts product specifications in U.S. customary units and metric are approximate and are provided for reference only. For precise measurements, please contact Watts Technical Service. Watts reserves the right to change or modify product design, construction, specifications, or materials without prior notice and without incurring any obligation to make such changes and modifications on Watts products previously or subsequently sold.

USA: Tel: (800) 338-2581 • Fax: (828) 248-3929 • Watts.com
Canada: Tel: (905) 332-4090 • Fax: (905) 332-7068 • Watts.ca
Latin America: Tel: (52) 81-1001-8600 • Fax: (52) 81-8000-7091 • Watts.com



A Watts Water Technologies Company