



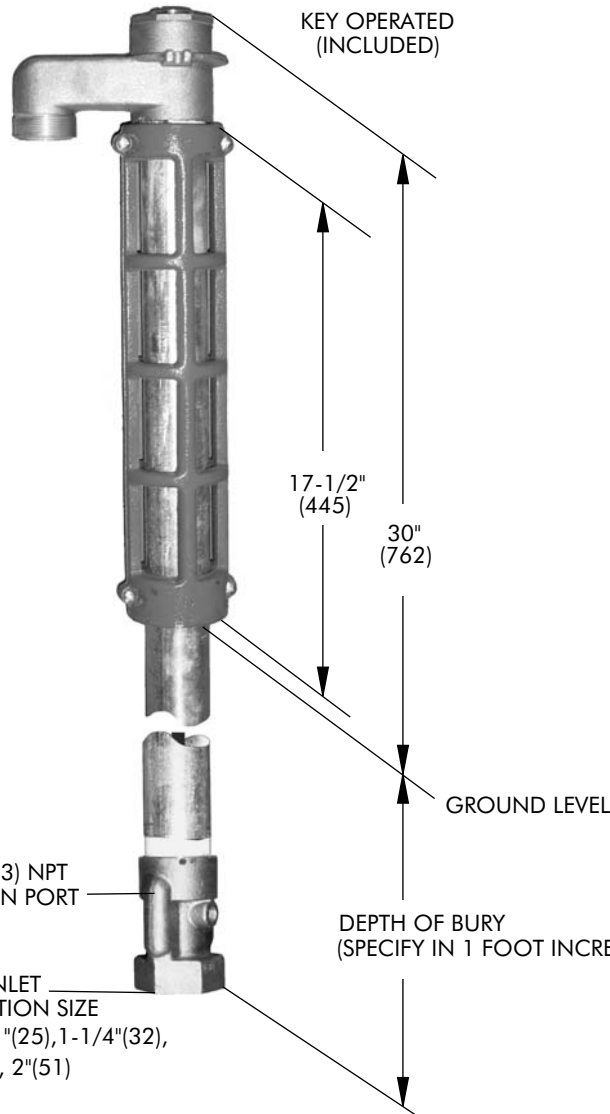
# HY-600

Tag: \_\_\_\_\_

## Non-Freeze Post Ground Hydrant with Decorative Casing

**SPECIFICATION:** Watts Drainage Products HY-600 non-freeze key operated post hydrant with decorative epoxy coated cast iron housing, all bronze head, seat casting and internal working parts, galvanized wall casing, and hydrant key.

**FUNCTION:** For installation in exterior decks areas where non-freeze type post type hydrants are required.



Order Code: HY-600- -

Ex. HY-600-5-1"

Burying Depth (Select One)		
Suffix	Description	
-2	2'(610) Depth	<input type="checkbox"/>
-3	3'(914) Depth	<input type="checkbox"/>
-4	4'(1219) Depth	<input type="checkbox"/>
-5	5'(1524) Depth	<input type="checkbox"/>
-6	6'(1829) Depth	<input type="checkbox"/>
-7	7'(2134) Depth	<input type="checkbox"/>
-8	8'(2438) Depth	<input type="checkbox"/>

Inlet Size (Select One)		
Suffix	Description	
-3/4"	3/4"(19) Connection Size	<input type="checkbox"/>
-1"	1"(25) Connection Size	<input type="checkbox"/>
-1-1/4"	1-1/4"(32) Connection Size	<input type="checkbox"/>
-1-1/2"	1-1/2"(38) Connection Size	<input type="checkbox"/>
-2"	2"(51) Connection Size	<input type="checkbox"/>

Job Name \_\_\_\_\_ Contractor \_\_\_\_\_

Job Location \_\_\_\_\_ Contractor's P.O. No. \_\_\_\_\_

Engineer \_\_\_\_\_ Representative \_\_\_\_\_

WATTS Drainage reserves the right to modify or change product design or construction without prior notice and without incurring any obligation to make similar changes and modifications to products previously or subsequently sold. See your WATTS Drainage representative for any clarification. Dimensions are subject to manufacturing tolerances.



CANADA: 5435 North Service Road, Burlington, ON, L7L 5H7 TEL: 905-332-6718 TOLL-FREE: 1-888-208-8927 Website: www.wattsdrainage.ca

