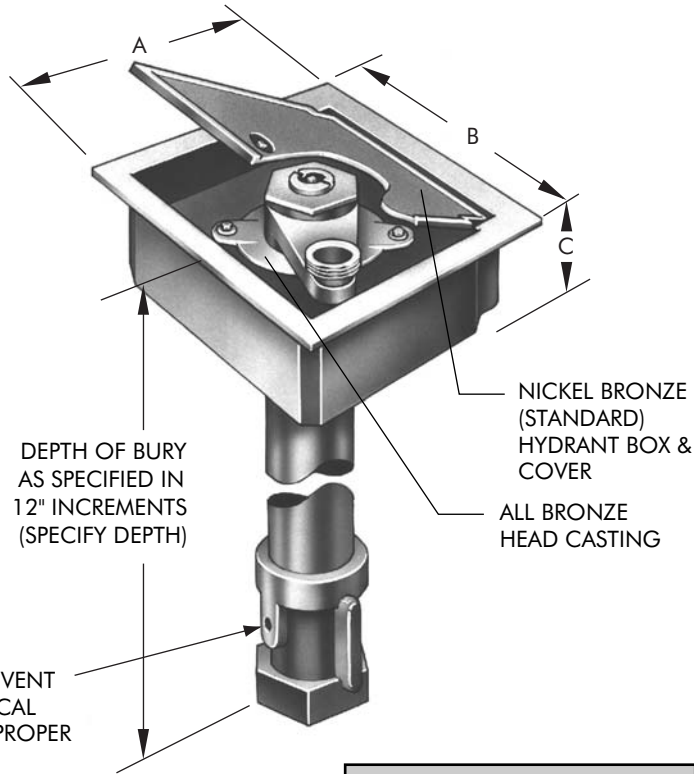


SPECIFICATION: Watts Drainage Products HY-500 non-freeze encased type deck hydrant, polished bronze box with hinged access cover, galvanized steel casing, bronze valve body and working parts, inlet and outlet connections and specified depth bury.

FUNCTION: For installation in exterior decks areas where non-freeze type deck hydrants are required.



Note:
Only 3/4" and 1" outlet sizes include a vacuum breaker.

Outlet Size	A	B	C
3/4"(19)	5-5/8"(143)	6-7/8"(175)	2-1/4"(57)
1"(25)	5-5/8"(143)	6-7/8"(175)	2-1/4"(57)
1-1/4"(32)	10-1/2"(267)	10-1/2"(267)	3-1/2"(89)
1-1/2"(38)	10-1/2"(267)	10-1/2"(267)	3-1/2"(89)
2"(51)	10-1/2"(267)	10-1/2"(267)	3-1/2"(89)

Order Code: HY-500---

Ex. HY-500-5-1-K

Burying Depth (Select One)		
Suffix	Description	
-2	2'(610) Depth	<input type="checkbox"/>
-3	3'(914) Depth	<input type="checkbox"/>
-4	4'(1219) Depth	<input type="checkbox"/>
-5	5'(1524) Depth	<input type="checkbox"/>
-6	6'(1829) Depth	<input type="checkbox"/>
-8	8'(2438) Depth	<input type="checkbox"/>

Outlet Size (Select One)		
Suffix	Description	
-3/4	3/4"(19) Connection Size	<input type="checkbox"/>
-1	1"(25) Connection Size	<input type="checkbox"/>
-1 1/4	1-1/4"(32) Connection Size	<input type="checkbox"/>
-1 1/2	1-1/2"(38) Connection Size	<input type="checkbox"/>
-2	2"(51) Connection Size	<input type="checkbox"/>

Options (Select One or More)		
Suffix	Description	
-31	Anchor Flange (3/4" & 1" only)	<input type="checkbox"/>
-32	Anchor Flange & Clamp (3/4" & 1" only)	<input type="checkbox"/>
-RK	Repair Kit	<input type="checkbox"/>
-K	Keyed Custodian Operation Cylinder Lock	<input type="checkbox"/>
-SS	Stainless Steel Box	<input type="checkbox"/>

Job Name _____ Contractor _____

Job Location _____ Contractor's P.O. No. _____

Engineer _____ Representative _____

WATTS Drainage reserves the right to modify or change product design or construction without prior notice and without incurring any obligation to make similar changes and modifications to products previously or subsequently sold. See your WATTS Drainage representative for any clarification. Dimensions are subject to manufacturing tolerances.