

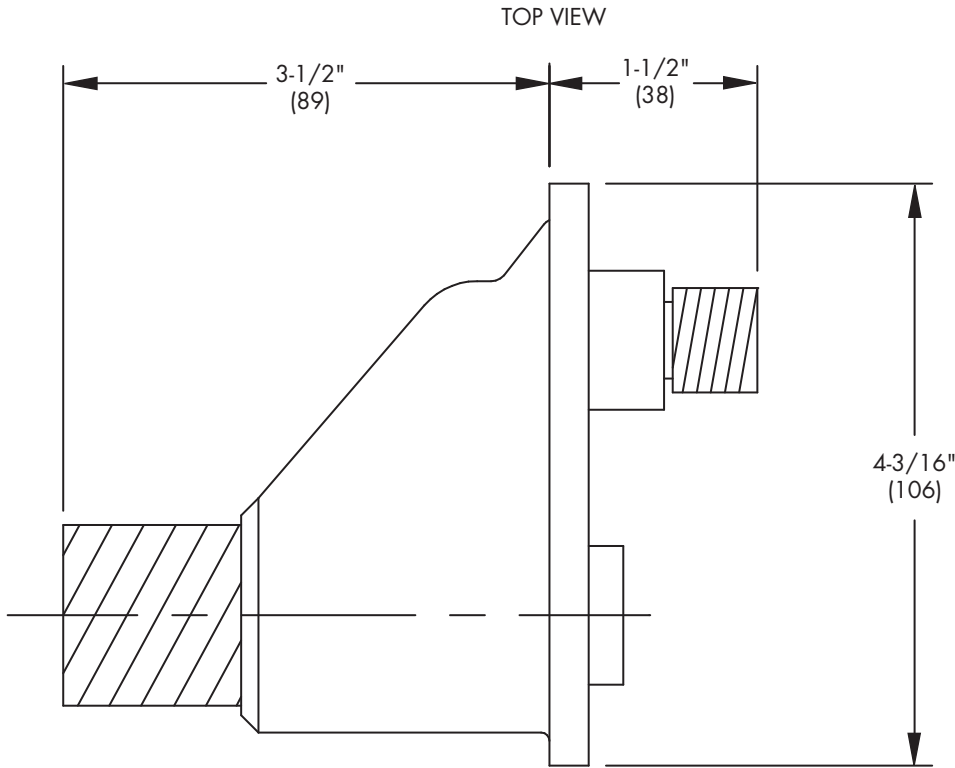


HY-430

Tag: _____

**Moderate Climate Wall Hydrant
with Chrome Plated Face,
Integral Vacuum Breaker**

SPECIFICATION: Watts Drainage HY-430 moderate climate key operated wall hydrant with chrome plated face, integral vacuum breaker, 3/4"(19) hose connection, 3/4"(19) female x 1"(25) male pipe connection, all bronze head, seat casting and internal working parts, and loose key. Complies with ASSE 1019-2004, UPC/IAMPO Listed. Max. operating pressure 125 psi.



Suffix	Option Description	
-CIA	Complete Internal Assembly (Repair Kit)	<input type="checkbox"/>

**Recommended Wall Opening:
2" x 4" (51 x 102)**

Job Name _____ Contractor _____

Job Location _____ Contractor's P.O. No. _____

Engineer _____ Representative _____

WATTS Drainage reserves the right to modify or change product design or construction without prior notice and without incurring any obligation to make similar changes and modifications to products previously or subsequently sold. See your WATTS Drainage representative for any clarification. Dimensions are subject to manufacturing tolerances.



Specification Drainage Products

USA: 100 Watts Road, Spindale, NC, 28160-2298; TEL: 828-288-2179 TOLL-FREE: 1-800-338-2581 www.watts.com