

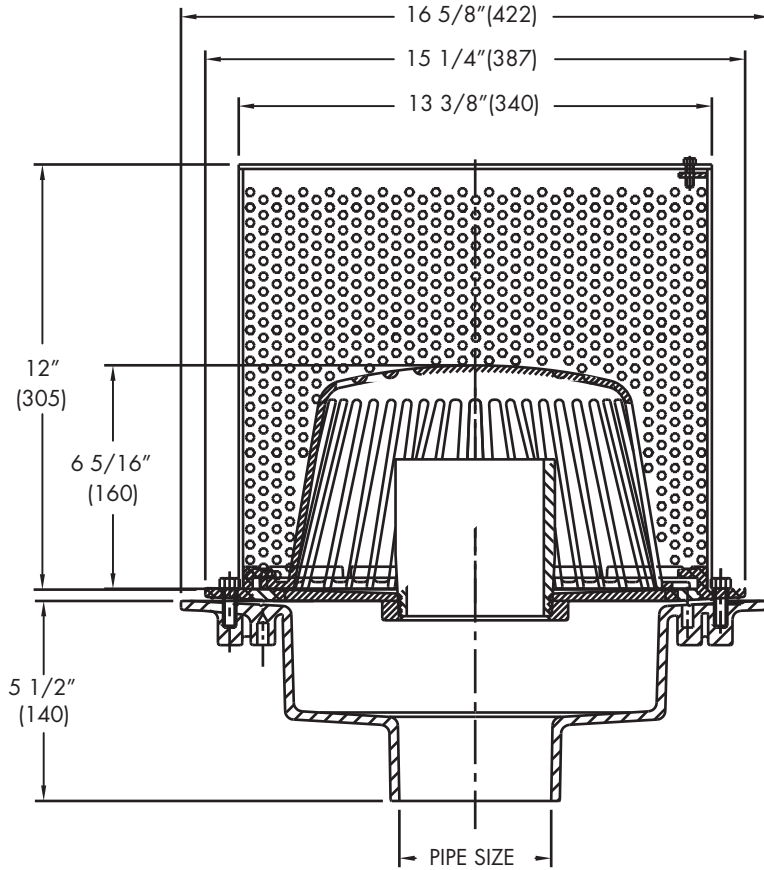


GRD-610-W

Tag: _____

Green Roof Large Planter Overflow Drain

SPECIFICATION: Watts Drainage GRD-610-W epoxy coated cast iron green roof overflow drain with flashing clamp with integral 4" (102) high internal standpipe, self-locking aluminum dome, perforated stainless steel gravel guard with secured solid cover, and no hub (standard) outlet.



**Deck opening 14-1/2" (368)
with sump receiver 18" (457)**

| Pipe Sizing (Select One) | | |
|--------------------------|-------------------------------|--------------------------|
| Suffix | Description | |
| 2 | 2" (51) Pipe Size (NH Only) | <input type="checkbox"/> |
| 3 | 3" (76) Pipe Size | <input type="checkbox"/> |
| 4 | 4" (102) Pipe Size | <input type="checkbox"/> |
| 5 | 5" (127) Pipe Size (NH Only) | <input type="checkbox"/> |
| 6 | 6" (152) Pipe Size | <input type="checkbox"/> |
| 8 | 8" (203) Pipe Size | <input type="checkbox"/> |
| 10 | 10" (254) Pipe Size (NH Only) | <input type="checkbox"/> |

| Outlet Type (Select One) | | |
|--------------------------|--------------|--------------------------|
| Suffix | Description | |
| NH | No Hub (MJ) | <input type="checkbox"/> |
| P | Push On | <input type="checkbox"/> |
| X | Inside Caulk | <input type="checkbox"/> |

| Options (Select One or More) | | |
|------------------------------|----------------------------------|--------------------------|
| Suffix | Description | |
| -13 | Galvanized Body & Flashing Clamp | <input type="checkbox"/> |
| -B | Sump Receiver | <input type="checkbox"/> |
| -D | Underdeck Clamp | <input type="checkbox"/> |
| -F | Deck Flange/Adj. Extension | <input type="checkbox"/> |
| -W2 | 2" (51) Internal Standpipe | <input type="checkbox"/> |
| -US | Buy American Compliant | <input type="checkbox"/> |

Job Name _____

Contractor _____

Job Location _____

Contractor's P.O. No. _____

Engineer _____

Representative _____

Watts product specifications in U.S. customary units and metric are approximate and are provided for reference only. For precise measurements, please contact Watts Technical Service. Watts reserves the right to change or modify product design, construction, specifications, or materials without prior notice and without incurring any obligation to make such changes and modifications on Watts products previously or subsequently sold.

USA: Tel: (800) 338-2581 • Fax: (828) 248-3929 • Watts.com

Canada: Tel: (905) 332-4090 • Fax: (905) 332-7068 • Watts.ca

Latin America: Tel: (52) 81-1001-8600 • Fax: (52) 81-8000-7091 • Watts.com

ES-WD-GRD-610-W-USA 1525



A Watts Water Technologies Company