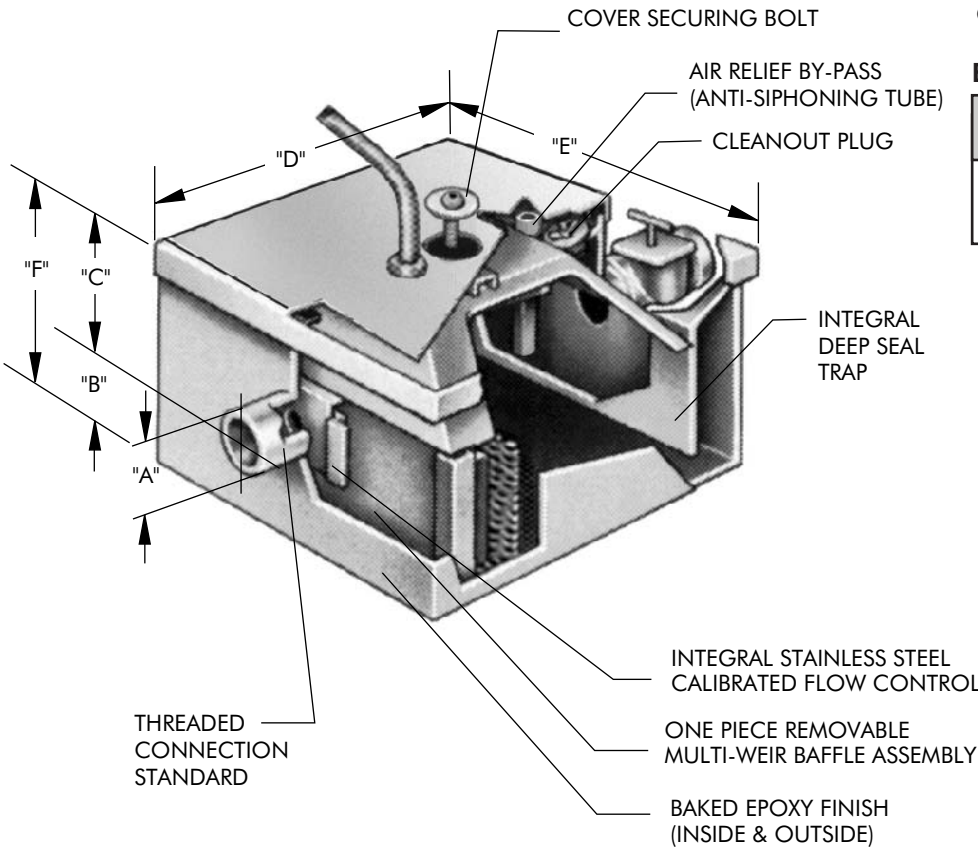




GI-100-LA
 Tag: _____

**Semi-Automatic Draw-Off
 Low Rough-in**

SPECIFICATION: Watts Drainage Products GI-100-LA epoxy coated inside and outside fabricated steel grease interceptor with flow rating of 20 GPM to 50 GPM and grease capacity of 40 lbs and 100 lbs. Unit shall include removable baffle, deep seal trap, non-removable stainless steel calibrated orifice plate and cover-all cover with low pressure grease accumulating chamber and draw off hose.



Order Code: **GI--LA**

Ex. **GI-120-LA**

Flow Rate (Select One)		
Suffix	Description	
120	20 GPM	<input type="checkbox"/>
135	35 GPM	<input type="checkbox"/>
150	50 GPM	<input type="checkbox"/>

Cubic Capacity of Fixtures in Inches	Interceptor Catalog Number	Grease Capacity Lbs	Flow Rate GPM	A	B	C	D	E	F
				Inlet & Outlet	Base to Center	Top to Center	Length	Width	Height
up to 6150	GI-120-LA	40	20	3"(76)	7-5/8"(194)	4-1/4"(108)	34-7/8"(886)	22-7/8"(581)	11-7/8"(302)
6151 to 10750	GI-135-LA	70	35	4"(102)	7"(178)	4-7/8"(124)	40-7/8"(1038)	32-7/8"(835)	11-7/8"(302)
10751 to 15400	GI-150-LA	100	50	4"(102)	8-1/2"(216)	5-3/8"(137)	54-7/8"(1394)	32-7/8"(835)	13-7/8"(352)

Job Name _____ Contractor _____

Job Location _____ Contractor's P.O. No. _____

Engineer _____ Representative _____

Watts Drainage reserves the right to modify or change product design or construction without prior notice and without incurring any obligation to make similar changes and modifications to products previously or subsequently sold. See your WATTS Drainage representative for any clarification. Dimensions are subject to manufacturing tolerances.



CANADA: 5435 North Service Road, Burlington, ON, L7L 5H7 TEL: 905-332-6718 TOLL-FREE: 1-888-208-8927 Website: www.wattsdrainage.ca

