

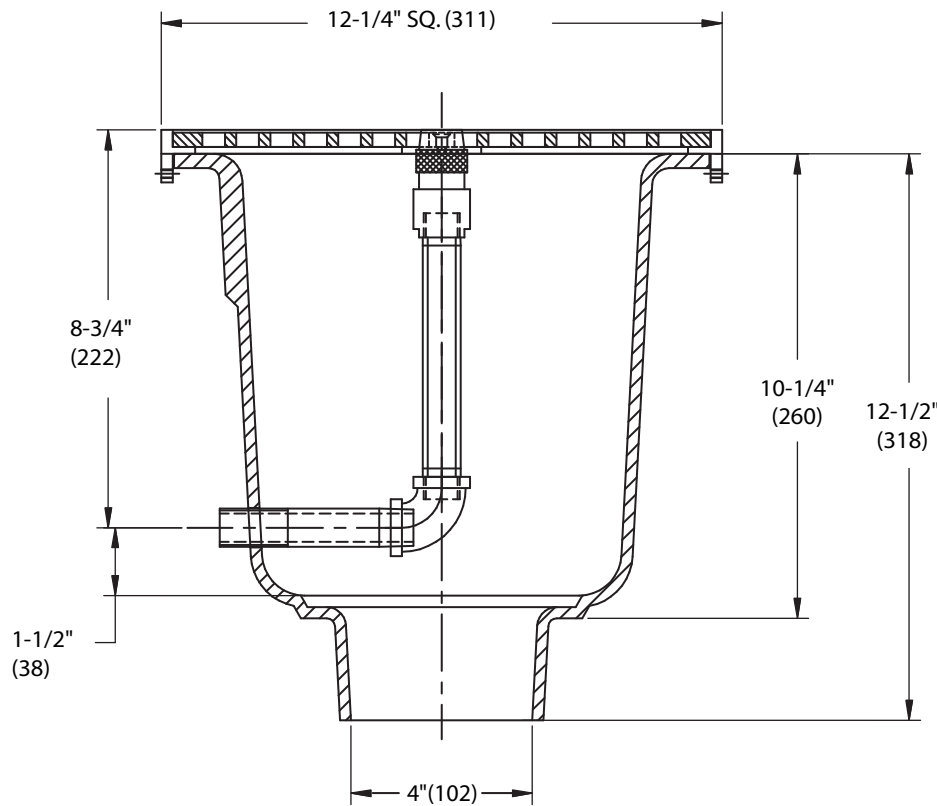


FS-800

Tag: _____

Sanitary Can Wash Drain

SPECIFICATION: Watts Drainage FS-800 epoxy coated cast iron sanitary can wash drain with secured nickel bronze grate, stainless steel sediment bucket, spray nozzle with 1/2" (13) NPT pipe connection, and 4" (102) no hub(standard) outlet.



Outlet Type (Select One)		
Suffix	Description	
NH	No Hub (MJ)	<input type="checkbox"/>
P	Push On	<input type="checkbox"/>

Option (Select)		
Suffix	Description	
-6	Vandal Proof	<input type="checkbox"/>

Free Area Sq. In.
31

Job Name _____ Contractor _____

Job Location _____ Contractor's P.O. No. _____

Engineer _____ Representative _____

WATTS Drainage reserves the right to modify or change product design or construction without prior notice and without incurring any obligation to make similar changes and modifications to products previously or subsequently sold. See your WATTS Drainage representative for any clarification. Dimensions are subject to manufacturing tolerances.



CANADA: 5435 North Service Road, Burlington, ON, L7L 5H7 TEL: 905-332-6718 TOLL-FREE: 1-888-208-8927 Website: www.wattsdrainage.ca

