

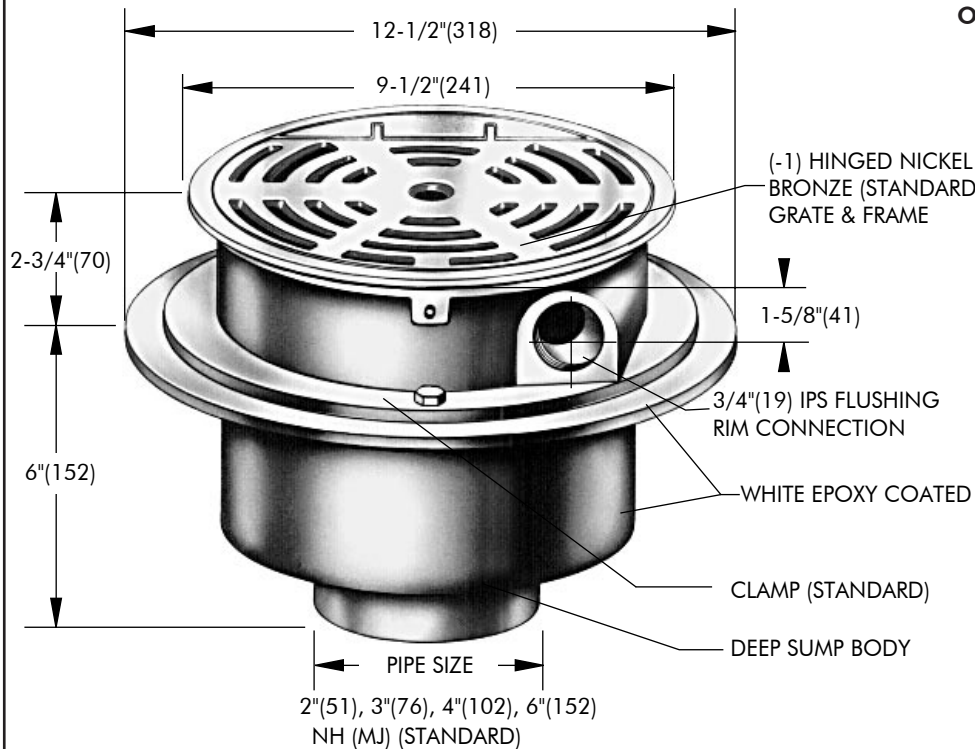


**FD-820**

Tag: \_\_\_\_\_

**Flushing Rim Floor Drain**

**SPECIFICATION:** Watts Drainage Products FD-820 flushing rim floor drain with white epoxy coated all cast iron body 3/4"(19) IPS flushing connection and nickel bronze hinged perforated grate and frame.



Order Code: FD-82   - 1 -

Ex. FD-822P-1-6

Pipe Sizing (Select One)		
Suffix	Description	
2	2"(51) Pipe Size	<input type="checkbox"/>
3	3"(76) Pipe Size	<input type="checkbox"/>
4	4"(102) Pipe Size	<input type="checkbox"/>
6	6"(152) Pipe Size	<input type="checkbox"/>

Outlet Type (Select One)		
Suffix	Description	
NH	No Hub (MJ)	<input type="checkbox"/>
P	Push On	<input type="checkbox"/>
T	Threaded Outlet	<input type="checkbox"/>
X	Inside Caulk	<input type="checkbox"/>

Options (Select One or More)		
Suffix	Description	
-6	Vandal Proof	<input type="checkbox"/>
-10	Secured Top c/w Phillips Screws	<input type="checkbox"/>

**Load Rating & Free Area**

Load Rating	Free Area Sq. In.
*XHD	18

\* The load classifications are in accordance with the American National Standards ASME A112.21.1M ASME Ratings are as follows:  
 XHD - Safe Live Load 7500-10000 lbs.(3375-4500kg)

The above categories are given as a guide only. Please consult factory.

Job Name \_\_\_\_\_ Contractor \_\_\_\_\_

Job Location \_\_\_\_\_ Contractor's P.O. No. \_\_\_\_\_

Engineer \_\_\_\_\_ Representative \_\_\_\_\_

WATTS Drainage reserves the right to modify or change product design or construction without prior notice and without incurring any obligation to make similar changes and modifications to products previously or subsequently sold. See your WATTS Drainage representative for any clarification. Dimensions are subject to manufacturing tolerances.



CANADA: 5435 North Service Road, Burlington, ON, L7L 5H7 TEL: 905-332-6718 TOLL-FREE: 1-888-208-8927 Website: www.wattsdrainage.ca

