

**SPECIFICATION:** Watts Drainage Products FD-760 epoxy coated gutter drain with epoxy coated body and heavy duty 6"x12"(152x305) ductile iron grate.

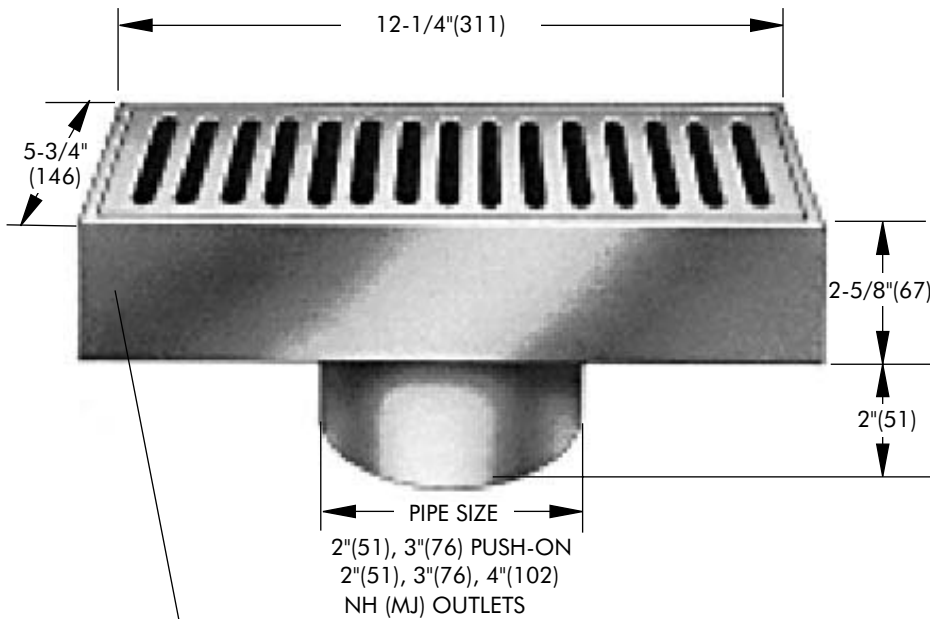
Order Code: **FD-76**  -  -

Ex. **FD-763-1-C**

Pipe Sizing (Select One)		
Suffix	Description	
2	2"(51) Pipe Size	<input type="checkbox"/>
3	3"(76) Pipe Size	<input type="checkbox"/>
4	4"(102) Pipe Size	<input type="checkbox"/>

Grate (Select One)		
Suffix	Description	
-4	Ductile Iron Grate	<input type="checkbox"/>
-4-3	Ductile Iron Grate w/ SS Veneer	<input type="checkbox"/>

Options (Select One or More)		
Suffix	Description	
-C	Membrane Clamp	<input type="checkbox"/>
-F	Anchor Flange	<input type="checkbox"/>
-6	Vandal Proof	<input type="checkbox"/>
-10	Secured Top c/w Phillips Screws	<input type="checkbox"/>
-12	Galvanized Top	<input type="checkbox"/>
-13	All Galvanized	<input type="checkbox"/>



BAKED EPOXY FINISH WITH  
EPOXY COATED  
DUCTILE IRON GRATE

Job Name \_\_\_\_\_ Contractor \_\_\_\_\_

Job Location \_\_\_\_\_ Contractor's P.O. No. \_\_\_\_\_

Engineer \_\_\_\_\_ Representative \_\_\_\_\_

Watts Drainage reserves the right to modify or change product design or construction without prior notice and without incurring any obligation to make similar changes and modifications to products previously or subsequently sold. See your WATTS Drainage representative for any clarification. Dimensions are subject to manufacturing tolerances.