



FD-340
Tag: _____

**Area Drain with
12" Round Adjustable Top**

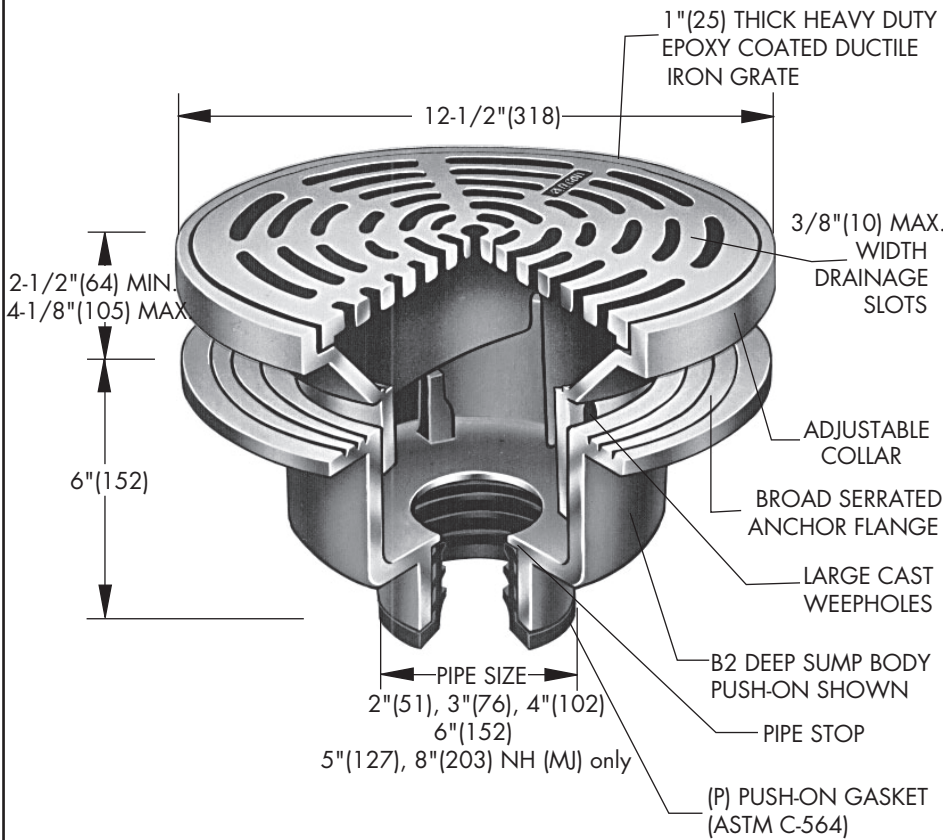
Components:



SPECIFICATION: Watts Drainage Products FD-340 epoxy coated cast iron area drain with anchor flange, weepholes, 12"(3-5) diameter adjustable top with ductile iron (standard) tractor grate, and no hub (MJ) (standard) outlet.

Order Code: **FD-34** - -

Ex. FD-342P-1



Pipe Sizing (Select One)		
Suffix	Description	
2	2"(51) Pipe Size	<input type="checkbox"/>
3	3"(76) Pipe Size	<input type="checkbox"/>
4	4"(102) Pipe Size	<input type="checkbox"/>
5	5"(127) Pipe Size	<input type="checkbox"/>
6	6"(152) Pipe Size	<input type="checkbox"/>
8	8"(203) Pipe Size	<input type="checkbox"/>

Outlet Type (Select One)		
Suffix	Description	
NH	No Hub (MJ)	<input type="checkbox"/>
P	Push On	<input type="checkbox"/>
T	Threaded Outlet	<input type="checkbox"/>
X	Inside Caulk	<input type="checkbox"/>

Grate (Select One)		
Suffix	Description	
-101	12"(305), Nickel Bronze	<input type="checkbox"/>
-4	12"(305), Ductile Iron	<input type="checkbox"/>

Options (Select One or More)		
Suffix	Description	
-5	Sediment Bucket	<input type="checkbox"/>
-6	Vandal Proof	<input type="checkbox"/>
-8	Backwater Valve (3" / 4" Only)	<input type="checkbox"/>
-10	Secured Top c/w Phillips screws	<input type="checkbox"/>
-12	Hot Dipped Galvanized	<input type="checkbox"/>
-13	Epoxy Painted Galvanized	<input type="checkbox"/>
-113M	Special Epoxy from 3M Range	<input type="checkbox"/>
-F4-50	4" Round Cast Iron Funnel	<input type="checkbox"/>
-F4-1	4" Round Nickel Bronze Funnel	<input type="checkbox"/>
-F6-1	6" Round Nickel Bronze Funnel	<input type="checkbox"/>
-G-50	4x9" Oval Cast Iron Funnel	<input type="checkbox"/>
-G-1	4x9" Oval Nickel Bronze Funnel	<input type="checkbox"/>
-Z	Elastomeric Flange	<input type="checkbox"/>

Load Rating & Free Area

Suffix	Load Rating	Free Area Sq. In.
-101	*XHD	37
-4	*XHD	37

NOTICE

The load classifications are in accordance with the American National Standards ASME A112.21.1M ASME Ratings are as follows:
XHD - Safe Live Load 7500-10000 lbs.(3375-4500kg)
The above categories are given as a guide only.
Please consult factory.

Job Name _____

Contractor _____

Job Location _____

Contractor's P.O. No. _____

Engineer _____

Representative _____

Watts product specifications in U.S. customary units and metric are approximate and are provided for reference only. For precise measurements, please contact Watts Technical Service. Watts reserves the right to change or modify product design, construction, specifications, or materials without prior notice and without incurring any obligation to make such changes and modifications on Watts products previously or subsequently sold.

USA: Tel: (800) 338-2581 • Fax: (828) 248-3929 • Watts.com
Canada: Tel: (905) 332-4090 • Fax: (905) 332-7068 • Watts.ca
Latin America: Tel: (52) 81-1001-8600 • Fax: (52) 81-8000-7091 • Watts.com



A Watts Water Technologies Company