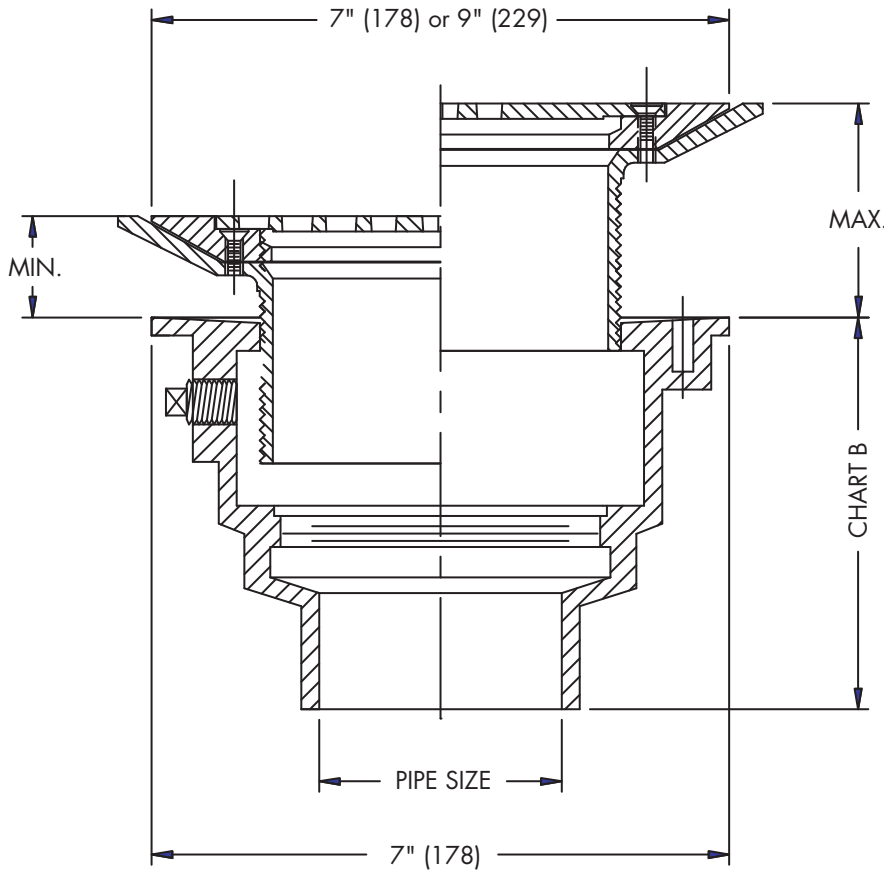




FD-200-FC
Tag: _____

**Floor Drain with
Surface Membrane Clamp**

SPECIFICATION: Watts Drainage FD-200-FC on-grade epoxy coated cast iron floor drain with anchor flange, weepholes, adjustable round heel proof nickel bronze strainer with surface membrane clamp, and no hub (standard) outlet.



Strainer Size

Str. Dia.	Min.	Max.	Load Rating	Free Area Sq. In.
7" (178)	1-1/2" (38)	2-3/4" (70)	*MD	9
9" (229)	1-1/2" (38)	2-3/4" (70)	*MD	12

* The load classifications are in accordance with the American National Standards ASME A112.21.1M ASME Ratings are as follows:
MD - Safe Live Load 2000-4999 lbs. (900-2250kg)
The above categories are given as a guide only. Please consult factory.

Chart B

Pipe Size	NH(MJ)	P	60/61
	No Hub	Push On	PVC/ABS
2"	4-1/2" (114)	5-1/2" (140)	4" (102)
3"	4-1/2" (114)	5-1/2" (140)	4" (102)
4"	4-3/4" (121)	5-1/2" (140)	4" (102)

Components



Pipe Sizing (Select One)

Suffix	Description	
2	2" (51) Pipe Size	<input type="checkbox"/>
3	3" (76) Pipe Size	<input type="checkbox"/>
4	4" (102) Pipe Size	<input type="checkbox"/>

Outlet Type (Select One)

Suffix	Description	
NH	No Hub (MJ)	<input type="checkbox"/>
P	Push On	<input type="checkbox"/>

Strainer (Select One)

Suffix	Description	
FC7	7" (178) Diameter, Nickel Bronze	<input type="checkbox"/>
FC9	9" (229) Diameter, Nickel Bronze	<input type="checkbox"/>

Options (Select One or More)

Suffix	Description	
-5	Sediment Bucket	<input type="checkbox"/>
-6	Vandal Proof	<input type="checkbox"/>
-7	Trap Primer Tapping	<input type="checkbox"/>
-8	Backwater Valve	<input type="checkbox"/>
-13	Galvanized Body	<input type="checkbox"/>
-15	Strainer Extension (DD-50)	<input type="checkbox"/>
-F4-50	4" Round Cast Iron Funnel	<input type="checkbox"/>
-F4-1	4" Round Nickel Bronze Funnel	<input type="checkbox"/>
-F6-1	6" Round Nickel Bronze Funnel	<input type="checkbox"/>
-G-50	4x9" Oval Cast Iron Funnel	<input type="checkbox"/>
-G-1	4x9" Oval Nickel Bronze Funnel	<input type="checkbox"/>
-US	Buy American Compliant	<input type="checkbox"/>

Optional Body Material

Suffix	Description	
-60	PVC Body w/Socket Outlet	<input type="checkbox"/>
-61	ABS Body w/Socket Outlet	<input type="checkbox"/>

Job Name _____ Contractor _____

Job Location _____ Contractor's P.O. No. _____

Engineer _____ Representative _____

WATTS Drainage reserves the right to modify or change product design or construction without prior notice and without incurring any obligation to make similar changes and modifications to products previously or subsequently sold. See your WATTS Drainage representative for any clarification. Dimensions are subject to manufacturing tolerances.



Specification Drainage Products

USA: 100 Watts Road, Spindale, NC, 28160-2298; TEL: 828-288-2179 TOLL-FREE: 1-800-338-2581 www.watts.com