



**FD-200**

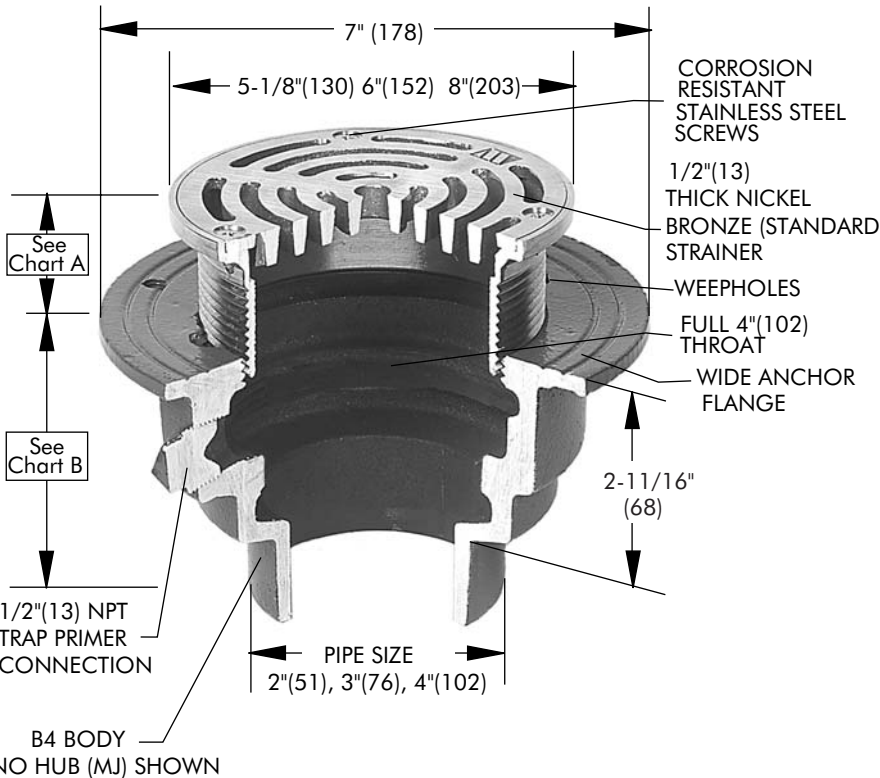
Tag: \_\_\_\_\_

**Floor Drain with Round Heavy Duty Strainer**

**Components:**



**SPECIFICATION:** Watts Drainage Products FD-200 epoxy coated cast iron floor drain with anchor flange, weepholes, 1/2" (13) thick (specify diameter) nickel bronze (standard) strainer, and no hub (MJ) (standard) outlet.



Order Code: **FD-20**  -  -  -  -

Ex. **FD-202P-5-1**

Pipe Sizing (Select One)	
Suffix	Description
2	2"(51) Pipe Size <input type="checkbox"/>
3	3"(76) Pipe Size <input type="checkbox"/>
4	4"(102) Pipe Size <input type="checkbox"/>

Outlet Type (Select One)	
Suffix	Description
NH	No Hub (MJ) <input type="checkbox"/>
P	Push On <input type="checkbox"/>

Strainer (Select One)	
Suffix	Description
5-1	5"(127) Diameter, Nickel Bronze <input type="checkbox"/>
5-3	5"(127) Diameter, Stainless Steel <input type="checkbox"/>
5-4	5"(127) Diameter, Ductile Iron <input type="checkbox"/>
6-1	6"(152) Diameter, Nickel Bronze <input type="checkbox"/>
6-3	6"(152) Diameter, Stainless Steel <input type="checkbox"/>
8-1	8"(203) Diameter, Nickel Bronze <input type="checkbox"/>

Options (Select One or More)	
Suffix	Description
-5	Sediment Bucket <input type="checkbox"/>
-6	Vandal Proof <input type="checkbox"/>
-8	Backwater Valve (3" / 4" Only) <input type="checkbox"/>
-12	Galvanized Top <input type="checkbox"/>
-13	All Galvanized <input type="checkbox"/>
-15	Strainer Extension (DD-50) <input type="checkbox"/>
-113M	Special Epoxy from 3M Range <input type="checkbox"/>
-F4-50	4" Round Cast Iron Funnel <input type="checkbox"/>
-F4-1	4" Round Nickel Bronze Funnel <input type="checkbox"/>
-F6-1	6" Round Nickel Bronze Funnel <input type="checkbox"/>
-G-50	4x9" Oval Cast Iron Funnel <input type="checkbox"/>
-G-1	4x9" Oval Nickel Bronze Funnel <input type="checkbox"/>
-Z	Elastomeric Flange <input type="checkbox"/>

Optional Body Material (NH Only)	
Suffix	Description
-60	PVC Body w/Socket Outlet <input type="checkbox"/>
-61	ABS Body w/Socket Outlet <input type="checkbox"/>

Chart A

Str. Dia.	Min.	Max.	Load Rating	Free Area Sq. In.
5"(127)	7/16"(11)	1-5/8"(41)	*XHD	7
6"(152)	5/8"(16)	5/8"(16)	*XHD	8
8"(203)	3/4"(19)	3/4"(19)	*HD	18

\* The load classifications are in accordance with the American National Standards ASME A112.21.1M ASME Ratings are as follows:  
 HD - Safe Live Load 5000-7499 lbs.(2250-3375kg)  
 XHD - Safe Live Load 7500-10000 lbs.(3375-4500kg)  
 The above categories are given as a guide only. Please consult factory.

Chart B

	Std.	P	60/61
Pipe Size	No Hub	Push On	PVC/ABS
2"(51)	3"(76)	4"(102)	4"(102)
3"(76)	3"(76)	4"(102)	3-3/4"(95)
4"(102)	3"(76)	4"(102)	3-3/4"(95)

Job Name \_\_\_\_\_ Contractor \_\_\_\_\_

Job Location \_\_\_\_\_ Contractor's P.O. No. \_\_\_\_\_

Engineer \_\_\_\_\_ Representative \_\_\_\_\_

WATTS Drainage reserves the right to modify or change product design or construction without prior notice and without incurring any obligation to make similar changes and modifications to products previously or subsequently sold. See your WATTS Drainage representative for any clarification. Dimensions are subject to manufacturing tolerances.



CANADA: 5435 North Service Road, Burlington, ON, L7L 5H7 TEL: 905-332-6718 TOLL-FREE: 1-888-208-8927 Website: www.wattsdrainage.ca

