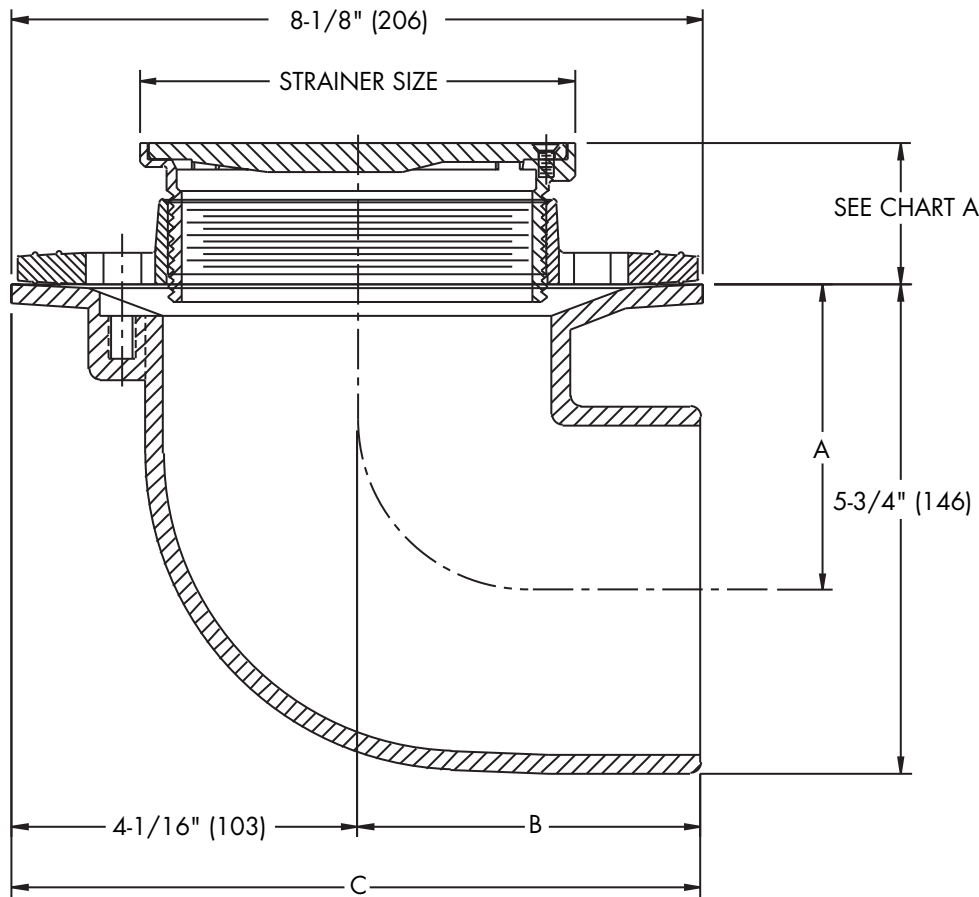




**FD-100-SO**  
Tag: \_\_\_\_\_

**Side Outlet Floor Drain  
NB Strainer**

**SPECIFICATION:** Watts Drainage FD-100-SO epoxy coated cast iron side outlet floor drain with anchor flange, reversible clamping collar with primary & secondary weepholes, adjustable round nickel bronze strainer, and no hub (standard) outlet.



Components	
B3-SO	B3-XYC
A	FC-1

Pipe Sizing (Select One)	
Suffix	Description
2	2" (51) Pipe Size <input type="checkbox"/>
3	3" (76) Pipe Size <input type="checkbox"/>
4	4" (102) Pipe Size <input type="checkbox"/>

Strainer (Select One)	
Suffix	Description
A5-1	5" (127) Diameter, Nickel Bronze <input type="checkbox"/>
A6-1	6" (152) Diameter, Nickel Bronze <input type="checkbox"/>
A7-1	7" (178) Diameter, Nickel Bronze <input type="checkbox"/>
A8-1	8" (203) Diameter, Nickel Bronze <input type="checkbox"/>

Options (Select One or More)	
Suffix	Description
-5	Sediment Bucket <input type="checkbox"/>
-6	Vandal Proof <input type="checkbox"/>
-13	Galvanized Body <input type="checkbox"/>
-15	Strainer Extension (DD-50) <input type="checkbox"/>
-F4-50	4" Round Cast Iron Funnel <input type="checkbox"/>
-F4-1	4" Round Nickel Bronze Funnel <input type="checkbox"/>
-F6-1	6" Round Nickel Bronze Funnel <input type="checkbox"/>
-G-50	4x9" Oval Cast Iron Funnel <input type="checkbox"/>
-G-1	4x9" Oval Nickel Bronze Funnel <input type="checkbox"/>

MODEL	A	B	C
B3-2-SO	4 5/8	7 1/4	11 5/16
B3-3-SO	4 3/32	5 3/4	9 27/32
B3-4-SO	3 5/8	4 1/32	8 3/32

Chart A

Str. Dia.	Min.	Max.	Load Rating	Free Area Sq. In.
5" (127)	7/8" (22)	3-1/4" (83)	*MD	6
6" (152)	1" (25)	3-3/8" (86)	*MD	9
7" (178)	1" (25)	3-1/4" (83)	*MD	12
8" (203)	1-3/8" (35)	3-1/4" (83)	*MD	18

\* The load classifications are in accordance with the American National Standards ASME A112.21.1M ASME Ratings are as follows:  
MD - Safe Live Load 2000-4999 lbs. (900-2250kg)  
The above categories are given as a guide only. Please consult factory.

Job Name \_\_\_\_\_ Contractor \_\_\_\_\_

Job Location \_\_\_\_\_ Contractor's P.O. No. \_\_\_\_\_

Engineer \_\_\_\_\_ Representative \_\_\_\_\_

WATTS Drainage reserves the right to modify or change product design or construction without prior notice and without incurring any obligation to make similar changes and modifications to products previously or subsequently sold. See your WATTS Drainage representative for any clarification. Dimensions are subject to manufacturing tolerances.



Specification Drainage Products

USA: 100 Watts Road, Spindale, NC, 28160-2298; TEL: 828-288-2179 TOLL-FREE: 1-800-338-2581 www.watts.com