

For Commercial Applications

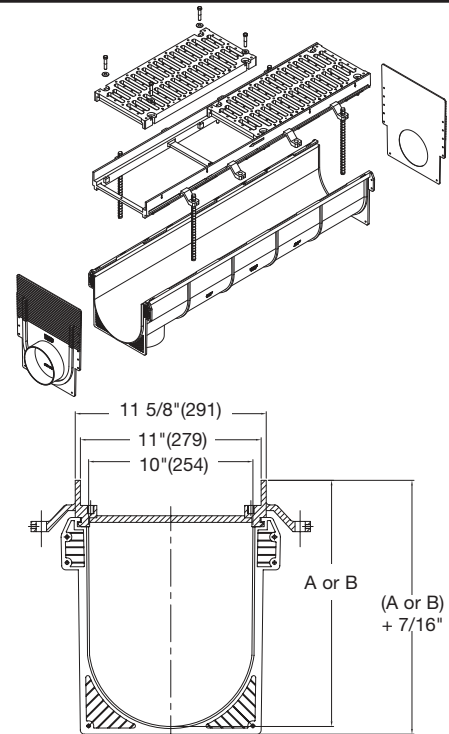
Job Name _____
 Job Location _____
 Engineer _____
 Approval _____
 Tag _____

Contractor _____
 Approval _____
 Contractor's P.O. No. _____
 Representative _____

Dead Level® DX Pre-Sloped Polypropylene Trench Drain System with Ductile Iron Frame

Specification

Watts Dead Level® DX Pre-Sloped Trench Drain System with 12"(305) wide x 48"(1219) long (standard) ductile iron frame, UV stabilized talc-filled polypropylene channels with 6"(152) No Hub bottom or End outlet(s). System shall be frame-anchored, with (specify) grating to suit DIN Class (specify) load rating. System to include frame connectors, grate lockdowns, and construction covers. Installation to be performed in accordance with manufacturer's instructions and building code.

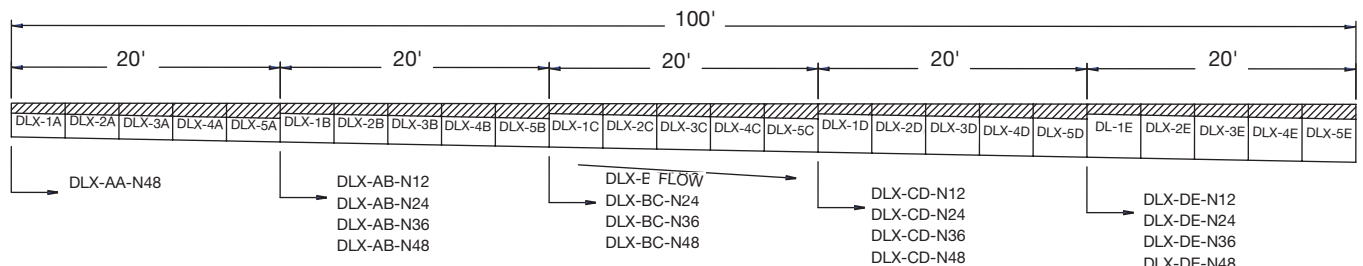


| Grate Options | | |
|---------------|---------------------------------------|----------------------------------|
| Suffix | Description | |
| -DI | Ductile Iron | Class F <input type="checkbox"/> |
| -DI-ADA | Ductile Iron ADA | Class F <input type="checkbox"/> |
| -GDI | Galvanized Ductile Iron* | Class F <input type="checkbox"/> |
| -RGP | Reinforced Galvanized Perforated | Class E <input type="checkbox"/> |
| -RGS | Reinforced Galvanized Slotted | Class E <input type="checkbox"/> |
| -RSP | Reinforced Stainless Steel Perforated | Class E <input type="checkbox"/> |
| -RSS | Reinforced Stainless Steel Slotted | Class E <input type="checkbox"/> |
| -SCI | Solid Cast Iron* | Class F <input type="checkbox"/> |

| Options | | |
|---------|---|--------------------------|
| Suffix | Description | |
| -B24 | 24"x24"x24" Catch Basin w/DI Grate | <input type="checkbox"/> |
| -B24T | 24"x24"x24" Catch Basin w/DI Grate & Trash Basket | <input type="checkbox"/> |
| -B24SS | 24"x24"x24" Catch Basin w/SS Grate | <input type="checkbox"/> |
| -B24SST | 24"x24"x24" Catch Basin w/SS Grate & Trash Basket | <input type="checkbox"/> |
| -FG | Galvanized Steel Frame Guard | <input type="checkbox"/> |
| -FS | Stainless Steel Frame Guard | <input type="checkbox"/> |
| -US | Buy American Compliant | <input type="checkbox"/> |
| -VP | Vandal Proof Grate Lockdowns | <input type="checkbox"/> |

Ordered Separate:

| EDP | Part No. | Description |
|---------|----------|---------------------------------|
| 8189343 | DX-SB | Outlet Strainer/Sediment Bucket |



Watts product specifications in U.S. customary units and metric are approximate and are provided for reference only. For precise measurements, please contact Watts Technical Service. Watts reserves the right to change or modify product design, construction, specifications, or materials without prior notice and without incurring any obligation to make such changes and modifications on Watts products previously or subsequently sold.



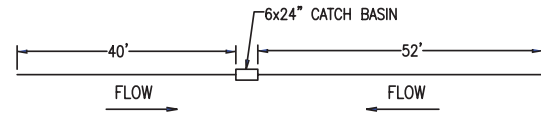
Dead Level® DX Dimensional Data

| Part # | Configuration | Length | Weight (lbs) | Dim. A | Dim. B |
|------------|---------------|------------|--------------|----------------|----------------|
| DLX-AA-N48 | Neutral | 48" (1219) | 37 | 8-3/4"(222) | 8-3/4"(222) |
| DLX-1A | Sloped | 48" (1219) | 39 | 8-3/4"(222) | 9-1/16"(230) |
| DLX-2A | Sloped | 48" (1219) | 44 | 9-1/16"(230) | 9-3/8"(238) |
| DLX-3A | Sloped | 48" (1219) | 47 | 9-3/8"(238) | 9-11/16"(246) |
| DLX-4A | Sloped | 48" (1219) | 49 | 9-11/16"(246) | 10"(254) |
| DLX-5A | Sloped | 48" (1219) | 54 | 10"(254) | 10-5/16"(262) |
| DLX-AB-N12 | Neutral | 12" (305) | 10 | 10-5/16"(262) | 10-5/16"(262) |
| DLX-AB-N24 | Neutral | 24" (610) | 19 | 10-5/16"(262) | 10-5/16"(262) |
| DLX-AB-N36 | Neutral | 36" (914) | 28 | 10-5/16"(262) | 10-5/16"(262) |
| DLX-AB-N48 | Neutral | 48" (1219) | 37 | 10-5/16"(262) | 10-5/16"(262) |
| DLX-1B | Sloped | 48" (1219) | 40 | 10-5/16"(262) | 10-5/8"(270) |
| DLX-2B | Sloped | 48" (1219) | 45 | 10-5/8"(270) | 10-15/16"(278) |
| DLX-3B | Sloped | 48" (1219) | 48 | 10-15/16"(278) | 11-1/4"(286) |
| DLX-4B | Sloped | 48" (1219) | 50 | 11-1/4"(286) | 11-9/16"(294) |
| DLX-5B | Sloped | 48" (1219) | 55 | 11-9/16"(294) | 11-7/8"(302) |
| DLX-BC-N12 | Neutral | 12" (305) | 11 | 11-7/8"(302) | 11-7/8"(302) |
| DLX-BC-N24 | Neutral | 24" (610) | 21 | 11-7/8"(302) | 11-7/8"(302) |
| DLX-BC-N36 | Neutral | 36" (914) | 31 | 11-7/8"(302) | 11-7/8"(302) |
| DLX-BC-N48 | Neutral | 48" (1219) | 45 | 11-7/8"(302) | 11-7/8"(302) |
| DLX-1C | Sloped | 48" (1219) | 41 | 11-7/8"(302) | 12-3/16"(310) |
| DLX-2C | Sloped | 48" (1219) | 46 | 12-3/16"(310) | 12-1/2"(318) |
| DLX-3C | Sloped | 48" (1219) | 49 | 12-1/2"(318) | 12-13/16"(325) |
| DLX-4C | Sloped | 48" (1219) | 51 | 12-13/16"(325) | 13-1/8"(333) |
| DLX-5C | Sloped | 48" (1219) | 56 | 13-1/8"(333) | 13-7/16"(341) |
| DLX-CD-N12 | Neutral | 12" (305) | 11 | 13-7/16"(341) | 13-7/16"(341) |
| DLX-CD-N24 | Neutral | 24" (610) | 21 | 13-7/16"(341) | 13-7/16"(341) |
| DLX-CD-N36 | Neutral | 36" (914) | 31 | 13-7/16"(341) | 13-7/16"(341) |
| DLX-CD-N48 | Neutral | 48" (1219) | 45 | 13-7/16"(341) | 13-7/16"(341) |
| DLX-1D | Sloped | 48" (1219) | 42 | 13-7/16"(341) | 13-3/4"(349) |
| DLX-2D | Sloped | 48" (1219) | 47 | 13-3/4"(349) | 14-1/16"(357) |
| DLX-3D | Sloped | 48" (1219) | 50 | 14-1/16"(357) | 14-3/8"(365) |
| DLX-4D | Sloped | 48" (1219) | 52 | 14-3/8"(365) | 14-11/16"(373) |
| DLX-5D | Sloped | 48" (1219) | 57 | 14-11/16"(373) | 15"(381) |
| DLX-DE-N48 | Neutral | 48" (1219) | 47 | 15"(381) | 15"(381) |
| DLX-1E | Sloped | 48" (1219) | 43 | 15"(381) | 15-5/16"(389) |
| DLX-2E | Sloped | 48" (1219) | 48 | 15-5/16"(389) | 15-5/8"(397) |
| DLX-3E | Sloped | 48" (1219) | 51 | 15-5/8"(397) | 15-15/16"(405) |
| DLX-4E | Sloped | 48" (1219) | 53 | 15-15/16"(405) | 16-1/4"(413) |
| DLX-5E | Sloped | 48" (1219) | 58 | 16-1/4"(413) | 16-9/16"(420) |

How to Configure & Order Dead Level® Trench System

1. Sketch General Layout

For each separate trench configuration show length(s), position of outlet(s), direction of flow(s), and position of catch basins (if required).



2. Specify Frame

Ductile Iron

Ordering Code

DX

3. Specify Length in Feet

(Do not include Catch Basins)

Numeric

4. Specify Outlet

Straight Run End Outlet
Straight Run Center Outlet
Other Configuration

EO
CO
XO

5. Specify Grating

Ductile Iron
ADA Ductile Iron
Galvanized Ductile Iron*
Reinforced Galvanized Steel Slotted
Reinforced Galvanized Steel Perforated
Reinforced Stainless Steel Slotted
Reinforced Stainless Steel Perforated
Solid Cast Iron*

DI
DI-ADA
GDI
RGS
RGP
RSS
RSP
SCI

6. Specify Catch Basin

(If Required)
24x24x24" Catch Basin

B24

7. Specify Frame Guards

(If Required)
Galvanized Steel
Stainless Steel

FG
FS

8a. Configure Straight Run (EO or CO)

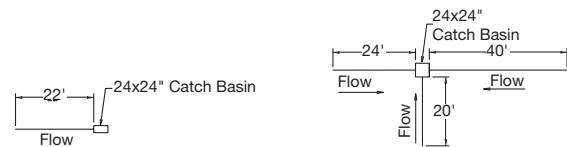
EX. Dx22-EO-RSS-B24-FS

DX = Ductile Iron
22 = Trench Length in Feet
EO = End Outlet
RSS = Reinforced Stainless Steel Slotted Grates
B24 = B24-24x24 Catch Basin
FS = Stainless Steel Frame Guard

8b. Configure Special Run (XO)

EX. DX84-XO-DI-B24

DX = Ductile Iron Frame
84 = Trench Length in Feet
XO = Other Configuration (Provide Sketch or Describe)
DI = Ductile Iron
B24 = 24x24x24" Catch Basin



USA: Tel: (800) 338-2581 • Fax: (828) 248-3929 • Watts.com

Canada: Tel: (905) 332-4090 • Fax: (905) 332-7068 • Watts.ca

Latin America: Tel: (52) 81-1001-8600 • Fax: (52) 81-8000-7091 • Watts.com