

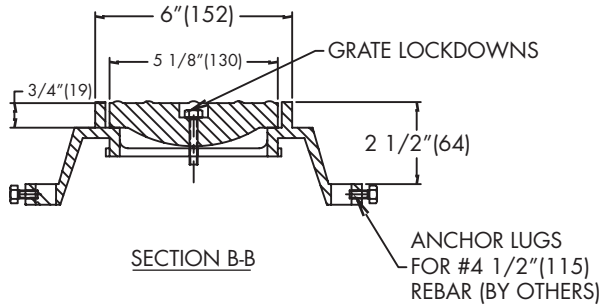


Dead Level™ DL-GF

Tag: _____

6" Wide Ductile Iron Trench Frame & Grating

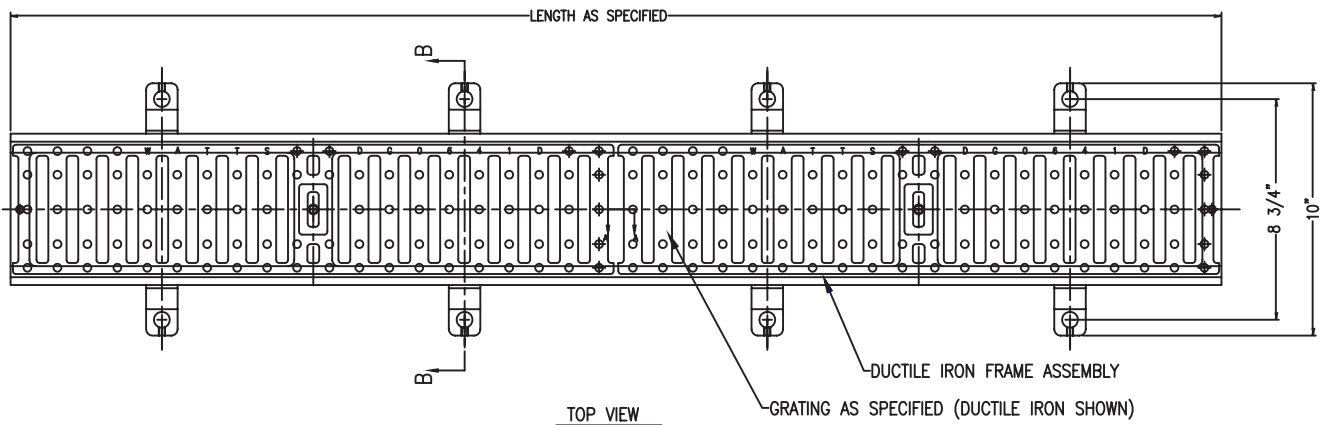
SPECIFICATION: Watts Dead Level DL-GF 6"(152) wide x 48"(1219) long (standard) ductile iron frame with rust-resistant oil-black coating, and (specify) grating to suit DIN Class (specify) load rating. System to include frame connectors, grate lockdowns, and construction covers.



Grate Options:		
Suffix	Description	
-BR	Decorative Bronze*	Class B <input type="checkbox"/>
-DI	Ductile Iron	Class F <input type="checkbox"/>
-DI-ADA	Ductile Iron ADA	Class F <input type="checkbox"/>
-GDI	Galvanized Ductile Iron*	Class F <input type="checkbox"/>
-GP	Galvanized Perforated	Class A <input type="checkbox"/>
-GS	Galvanized Slotted	Class A <input type="checkbox"/>
-RGP	Reinforced Galvanized Perforated	Class E <input type="checkbox"/>
-RGS	Reinforced Galvanized Slotted	Class E <input type="checkbox"/>
-SP	Stainless Steel Perforated	Class A <input type="checkbox"/>
-SS	Stainless Steel Slotted	Class A <input type="checkbox"/>
-RSP	Reinforced Stainless Steel Perforated	Class E <input type="checkbox"/>
-RSS	Reinforced Stainless Steel Slotted	Class E <input type="checkbox"/>
-SCI	Solid Cast Iron*	Class F <input type="checkbox"/>

Options:		
Suffix	Description	
-FG	Galvanized Steel Frame Guard	<input type="checkbox"/>
-FS	Stainless Steel Frame Guard	<input type="checkbox"/>
-US	Buy American Compliant	<input type="checkbox"/>

*Not Available With -US



Job Name _____
 Job Location _____
 Engineer _____

Contractor _____
 Contractor's P.O. No. _____
 Representative _____

Watts product specifications in U.S. customary units and metric are approximate and are provided for reference only. For precise measurements, please contact Watts Technical Service. Watts reserves the right to change or modify product design, construction, specifications, or materials without prior notice and without incurring any obligation to make such changes and modifications on Watts products previously or subsequently sold.

USA: Tel: (800) 338-2581 • Fax: (828) 248-3929 • Watts.com
Canada: Tel: (905) 332-4090 • Fax: (905) 332-7068 • Watts.ca
Latin America: Tel: (52) 81-1001-8600 • Fax: (52) 81-8000-7091 • Watts.com

