

For Commercial Applications

Job Name _____
 Job Location _____
 Engineer _____
 Approval _____
 Tag _____

Contractor _____
 Approval _____
 Contractor's P.O. No. _____
 Representative _____

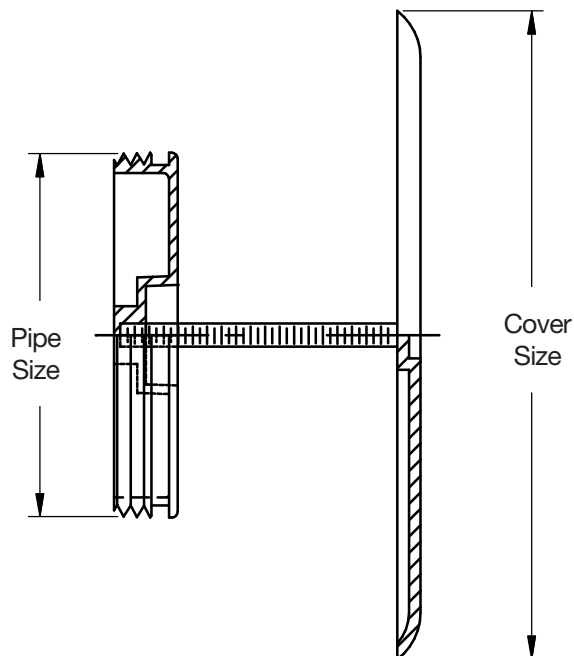
CO-590-RD

Wall Cleanout with Brass Plug, Stainless Steel Cover

Specification

Watts CO-590-RD threaded brass cleanout plug with countersunk head, stainless steel access cover and vandal proof stainless steel screw.

Pipe & Cover Size (Select One)				
Suffix	Description	Suffix	Description	
1.5	1 1/2"(38) Pipe Size	5	5"(127)	<input type="checkbox"/>
2	2"(51) Pipe Size	5	5"(127)	<input type="checkbox"/>
3	3"(76) Pipe Size	7	7"(178)	<input type="checkbox"/>
4	4"(102) Pipe Size	7	7"(178)	<input type="checkbox"/>
5	5"(127) Pipe Size	8	8"(203)	<input type="checkbox"/>
6	6"(152) Pipe Size	8	8"(203)	<input type="checkbox"/>



NOTICE

The information contained herein is not intended to replace the full product installation and safety information available or the experience of a trained product installer. You are required to thoroughly read all installation instructions and product safety information before beginning the installation of this product.

Watts product specifications in U.S. customary units and metric are approximate and are provided for reference only. For precise measurements, please contact Watts Technical Service. Watts reserves the right to change or modify product design, construction, specifications, or materials without prior notice and without incurring any obligation to make such changes and modifications on Watts products previously or subsequently sold.



USA: T: (800) 338-2581 • F: (828) 248-3929 • Watts.com
Canada: T: (905) 332-4090 • F: (905) 332-7068 • Watts.ca
Latin America: T: (52) 81-1001-8600 • Watts.com