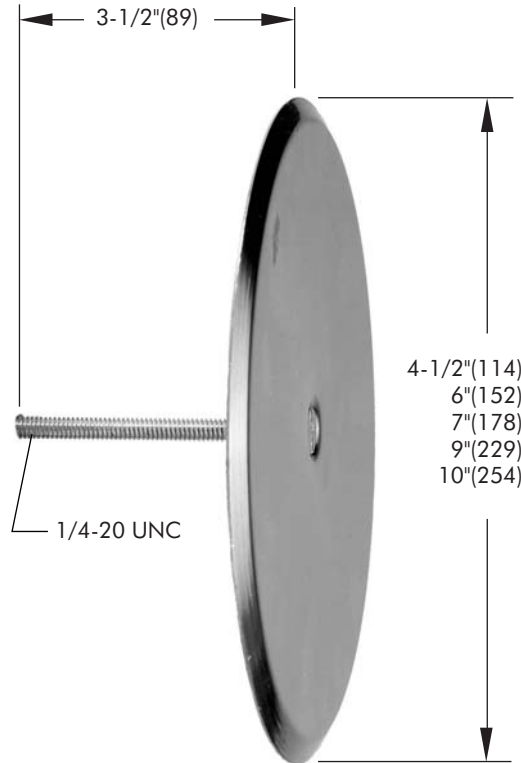


Order Code: **CO-480-RD-**

**Ex. CO-480-RD-5**

Cover Size (Select One)		
Suffix	Description	
4	4"(102) Cover	<input type="checkbox"/>
6	6"(152) Cover	<input type="checkbox"/>
7	7"(178) Cover	<input type="checkbox"/>
9	9"(229) Cover	<input type="checkbox"/>
10	10"(254) Cover	<input type="checkbox"/>



Job Name \_\_\_\_\_ Contractor \_\_\_\_\_

Job Location \_\_\_\_\_ Contractor's P.O. No. \_\_\_\_\_

Engineer \_\_\_\_\_ Representative \_\_\_\_\_

WATTS Drainage reserves the right to modify or change product design or construction without prior notice and without incurring any obligation to make similar changes and modifications to products previously or subsequently sold. See your WATTS Drainage representative for any clarification. Dimensions are subject to manufacturing tolerances.