

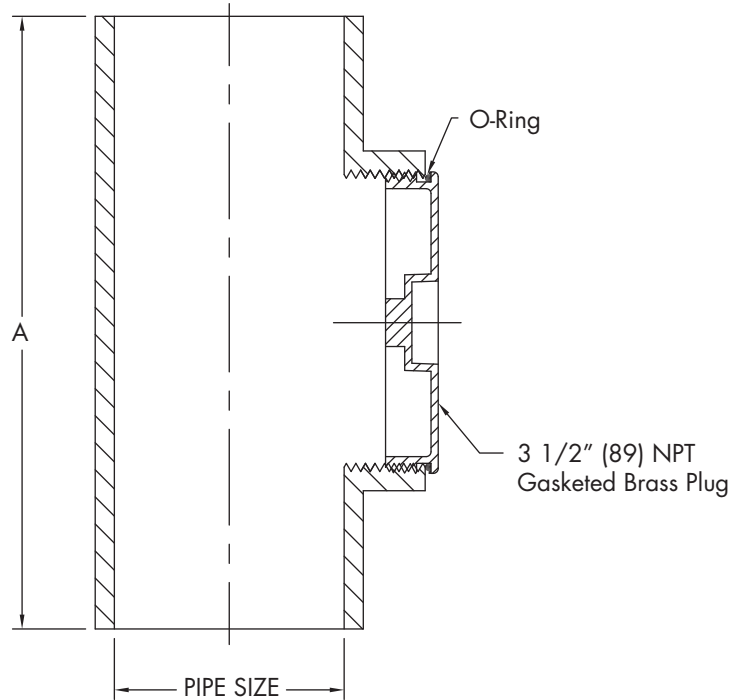


**CO-460**

Tag: \_\_\_\_\_

**Stack Cleanout  
with Brass Plug**

**SPECIFICATION:** Watts Drainage CO-460 cast iron stack cleanout with gasketed brass countersunk plug, and no hub connections.



PIPE SIZE	"A" HEIGHT
2" (51)	6-1/4"(159)
3" (76)	7-3/4"(197)
4" (102)	9"(229)

Job Name \_\_\_\_\_ Contractor \_\_\_\_\_

Job Location \_\_\_\_\_ Contractor's P.O. No. \_\_\_\_\_

Engineer \_\_\_\_\_ Representative \_\_\_\_\_

WATTS Drainage reserves the right to modify or change product design or construction without prior notice and without incurring any obligation to make similar changes and modifications to products previously or subsequently sold. See your WATTS Drainage representative for any clarification. Dimensions are subject to manufacturing tolerances.



**Specification Drainage Products**

USA: 100 Watts Road, Spindale, NC, 28160-2298; TEL: 828-288-2179 TOLL-FREE: 1-800-338-2581 [www.watts.com](http://www.watts.com)