

For Commercial Applications

Job Name _____
 Job Location _____
 Engineer _____
 Approval _____
 Tag _____

Contractor _____
 Approval _____
 Contractor's P.O. No. _____
 Representative _____

CO-410

Floor Access Housing

Specification

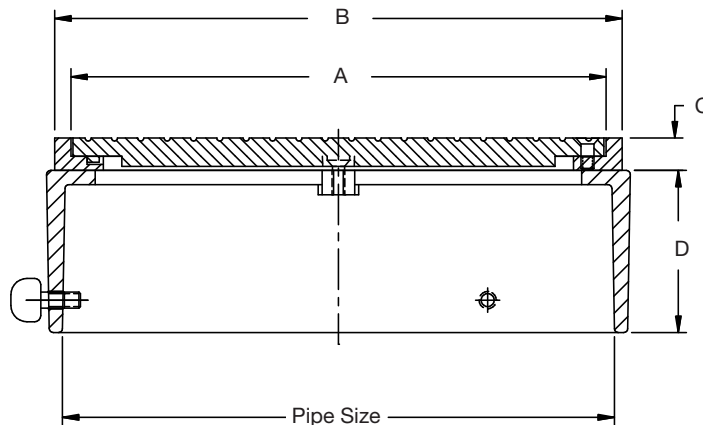
Watts CO-410 epoxy coated cast iron floor access housing with scoriated heavy duty ductile iron top and securing thumb screws.



Pipe Size (Select One)		
Suffix	Description	
3	3"(76) Pipe Size	<input type="checkbox"/>
4	4"(102) Pipe Size	<input type="checkbox"/>
6	6"(152) Pipe Size	<input type="checkbox"/>

Options (Select One or More)		
Suffix	Description	
-6	Vandal Proof	<input type="checkbox"/>
-1	Nickel Bronze Top	<input type="checkbox"/>

Model Number	Dimensions				
	Pipe Size	A	B	C	D
CO-413	3"(76)	5"(127)	5 1/4"(133)	3/8"(10)	2 5/8"(67)
CO-414	4"(102)	7"(178)	7 1/4"(184)	1/2"(13)	2 3/4"(70)
CO-416	6"(152)	8 3/4"(222)	9"(229)	1/2"(13)	3"(76)



LOAD RATING
*XHD

* The load classifications are in accordance with the American National Standards ASME A112.21.1M ASME Ratings are as follows:
 XHD - Safe Live Load 7500-10,000 lbs. (3375-4500 kg.)
 The above categories are given as a guide only. Please consult factory.

NOTICE

The information contained herein is not intended to replace the full product installation and safety information available or the experience of a trained product installer. You are required to thoroughly read all installation instructions and product safety information before beginning the installation of this product.

Watts product specifications in U.S. customary units and metric are approximate and are provided for reference only. For precise measurements, please contact Watts Technical Service. Watts reserves the right to change or modify product design, construction, specifications, or materials without prior notice and without incurring any obligation to make such changes and modifications on Watts products previously or subsequently sold.



USA: T: (800) 338-2581 • F: (828) 248-3929 • Watts.com
Canada: T: (905) 332-4090 • F: (905) 332-7068 • Watts.ca
Latin America: T: (52) 81-1001-8600 • Watts.com