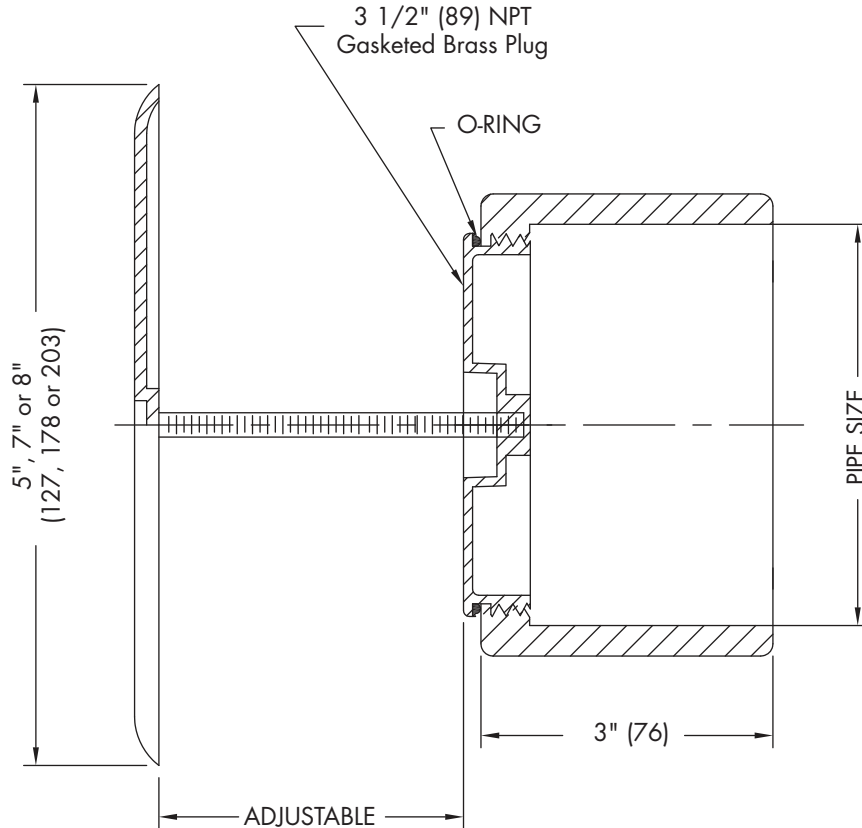




**CO-380-RD**  
Tag: \_\_\_\_\_

**Wall Cleanout with  
Brass Plug and  
Stainless Steel Cover**

**SPECIFICATION:** Watts Drainage CO-380-RD cast iron wall cleanout with gasketed brass countersunk plug, stainless steel access cover, vandal proof stainless steel screw, and no hub connection.



PIPE SIZE	COVER SIZE
2" (51)	5"(127)
3" (76)	7"(178)
4" (102)	7"(178)
6" (152)	8"(203)

Options (Select One or More)	
Suffix	Description
-US	Buy American Compliant <input type="checkbox"/>

Job Name \_\_\_\_\_ Contractor \_\_\_\_\_

Job Location \_\_\_\_\_ Contractor's P.O. No. \_\_\_\_\_

Engineer \_\_\_\_\_ Representative \_\_\_\_\_

WATTS Drainage reserves the right to modify or change product design or construction without prior notice and without incurring any obligation to make similar changes and modifications to products previously or subsequently sold. See your WATTS Drainage representative for any clarification. Dimensions are subject to manufacturing tolerances.



**Specification Drainage Products**

USA: 100 Watts Road, Spindale, NC, 28160-2298; TEL: 828-288-2179 TOLL-FREE: 1-800-338-2581 [www.watts.com](http://www.watts.com)