



**CO-300-US**

Tag: \_\_\_\_\_

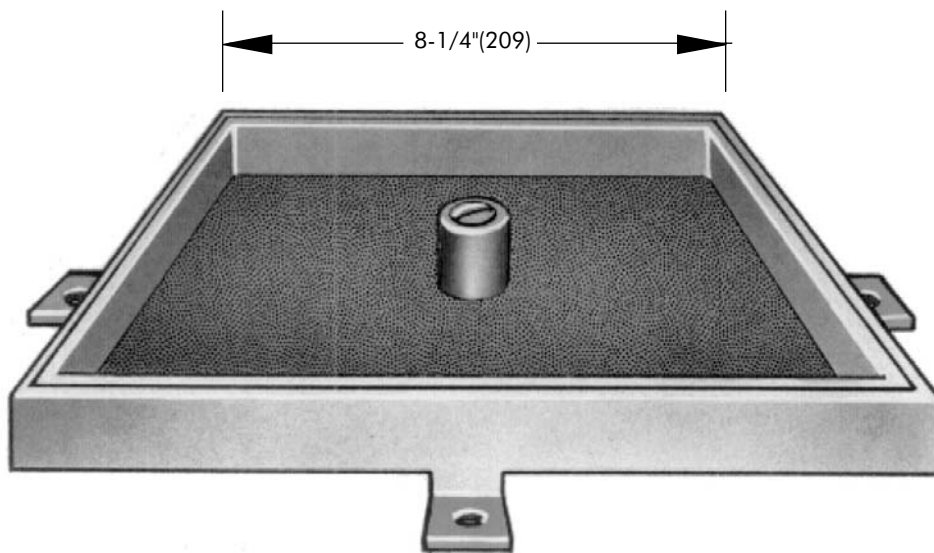
**Square Terrazzo  
Recess Access Cover**

**SPECIFICATION:** Watts Drainage Products CO-300-US square nickel bronze access. cover with concealed mounting flanges and cover recessed for terrazzo.

Order Code: **CO-300-US-**

Ex. **CO-300-US-6**

Option	
Suffix	Description
-6	Vandal Proof <input type="checkbox"/>



**Load Rating**

Suffix	Load Rating
US	*MD

\* The load classifications are in accordance with the American National Standards ASME A112.21.1M  
 ASME Ratings are as follows:  
 MD - Safe Live Load 2000-4999 lbs.(900-2250kg)  
 The above categories are given as a guide only.  
 Please consult factory.

Job Name \_\_\_\_\_ Contractor \_\_\_\_\_

Job Location \_\_\_\_\_ Contractor's P.O. No. \_\_\_\_\_

Engineer \_\_\_\_\_ Representative \_\_\_\_\_

WATTS Drainage reserves the right to modify or change product design or construction without prior notice and without incurring any obligation to make similar changes and modifications to products previously or subsequently sold. See your WATTS Drainage representative for any clarification. Dimensions may vary plus or minus 1/4" and are subject to revision.



CANADA: 5435 North Service Road, Burlington, ON, L7L 5H7 TEL: 905-332-6718 TOLL-FREE: 1-888-208-8927 Website: www.wattsdrainage.ca

