



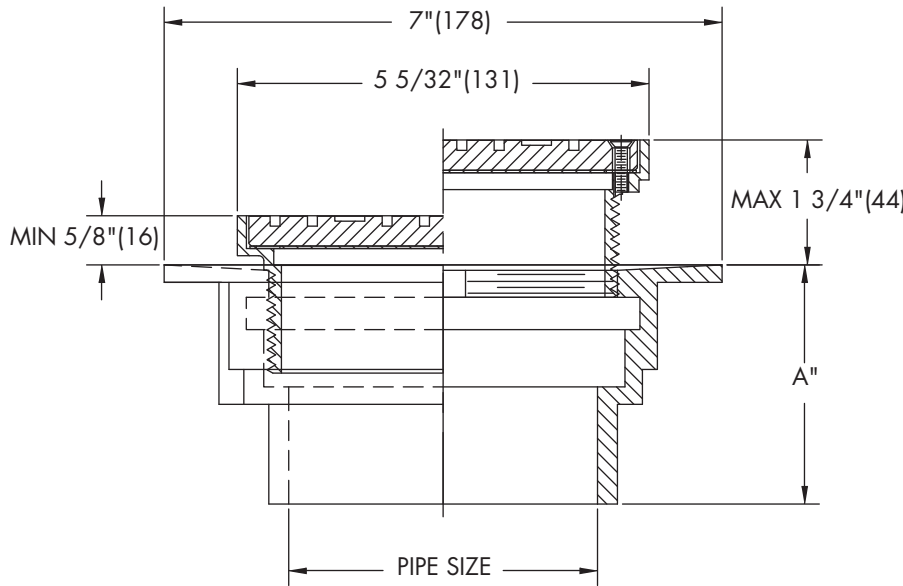
CO-200-XHR5

Tag: _____

Floor Cleanout with Heavy Duty Round Top

SPECIFICATION: Watts Drainage Products CO-200-XHR5 epoxy coated cast iron floor cleanout with 5-1/8"(130) round adjustable heavy duty nickel bronze (standard) top, and no hub (MU) connection.

Order Code: CO-20 - - -



Ex. CO-202P-XHR5-1

Pipe Sizing (Select One)	
Suffix	Description
2	2"(51) Pipe Size <input type="checkbox"/>
3	3"(76) Pipe Size <input type="checkbox"/>
4	4"(102) Pipe Size <input type="checkbox"/>

Outlet Type (Select One)	
Suffix	Description
NH	No Hub (MU) <input type="checkbox"/>
P	Push On <input type="checkbox"/>

Cover (Select One)	
Suffix	Description
XHR5-1	5"(127) Diameter, Nickel Bronze <input type="checkbox"/>
XHR5-4	5"(127) Diameter, Ductile Iron <input type="checkbox"/>

Options (Select One or More)	
Suffix	Description
-6	Vandal Proof <input type="checkbox"/>
-13	Galvanized Body <input type="checkbox"/>
-15	Strainer Extension (DD-50) <input type="checkbox"/>
-34G	ABS plug with Neoprene gasket <input type="checkbox"/>
-113M	Special Epoxy from 3M Range <input type="checkbox"/>
-C	Membrane Clamp <input type="checkbox"/>
-Z	Elastomeric Flange <input type="checkbox"/>

Optional Body Material (NH Only)	
Suffix	Description
-60	PVC Body w/Socket Outlet <input type="checkbox"/>
-61	ABS Body w/Socket Outlet <input type="checkbox"/>

Chart A

	Std.	P	60/61
Pipe Size	No Hub	Push On	PVC/ABS
2"(51)	3"(76)	4"(102)	3-3/4"(95)
3"(76)	3"(76)	4"(102)	3-3/4"(95)
4"(102)	3"(76)	4"(102)	3-3/4"(95)

Load Rating

Suffix	Load Rating
XHR5-1	*XHD
XHR5-4	*XHD

NOTICE

The load classifications are in accordance with the American National Standards ASME A112.21.1M ASME Ratings are as follows:
 XHD - Safe Live Load 7500-10000 lbs.(3375-4500kg)
 The above categories are given as a guide only.
 Please consult factory.

Job Name _____

Contractor _____

Job Location _____

Contractor's P.O. No. _____

Engineer _____

Representative _____

Watts product specifications in U.S. customary units and metric are approximate and are provided for reference only. For precise measurements, please contact Watts Technical Service. Watts reserves the right to change or modify product design, construction, specifications, or materials without prior notice and without incurring any obligation to make such changes and modifications on Watts products previously or subsequently sold.



A Watts Water Technologies Company

USA: Tel: (800) 338-2581 • Fax: (828) 248-3929 • Watts.com

Canada: Tel: (905) 332-4090 • Fax: (905) 332-7068 • Watts.ca

Latin America: Tel: (52) 81-1001-8600 • Fax: (52) 81-8000-7091 • Watts.com

ES-WD-CO-200-XHR5-CAN 1520

© 2015 Watts