



# CO-200

Tag: \_\_\_\_\_

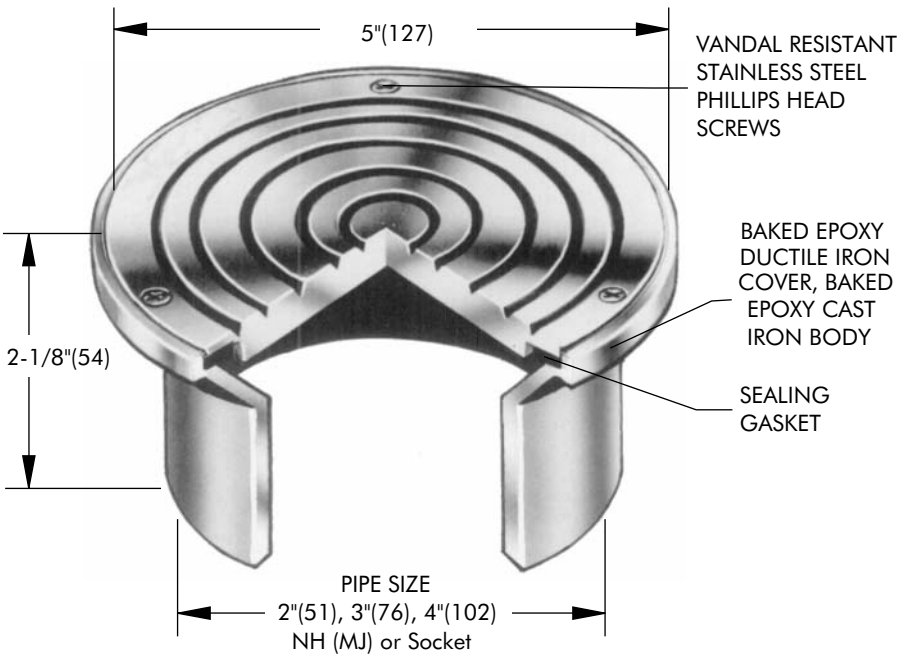
## Line or Floor Cleanout

**SPECIFICATION:** Watts Drainage Products CO-200 epoxy coated cast iron cleanout ferrule with 1/2" (13) thick gasketed cover.

**FUNCTION:** Cleanout for installation on cast iron, PVC or ABS drain lines.

Order Code: CO-20  -  -  -

Ex. CO-202-1-6



### Pipe Sizing (Select One)

Suffix	Description	
2	2"(51) Pipe Size	<input type="checkbox"/>
3	3"(76) Pipe Size	<input type="checkbox"/>
4	4"(102) Pipe Size	<input type="checkbox"/>

### Cover (Select One)

Suffix	Description	
-1	5"(127) Dia., Nickel Bronze	<input type="checkbox"/>
-4	5"(127) Dia., Ductile Iron	<input type="checkbox"/>
-50	5"(127) Dia., Cast Iron	<input type="checkbox"/>

### Options (Select One or More)

Suffix	Description	
-6	Vandal Proof	<input type="checkbox"/>
-13	All Galvanized	<input type="checkbox"/>
-Z	Elastomeric Flange	<input type="checkbox"/>

### Optional Body Material (NH Only)

Suffix	Description	
-60	PVC Body w/Socket Outlet	<input type="checkbox"/>
-61	ABS Body w/Socket Outlet	<input type="checkbox"/>

Job Name \_\_\_\_\_ Contractor \_\_\_\_\_

Job Location \_\_\_\_\_ Contractor's P.O. No. \_\_\_\_\_

Engineer \_\_\_\_\_ Representative \_\_\_\_\_

WATTS Drainage reserves the right to modify or change product design or construction without prior notice and without incurring any obligation to make similar changes and modifications to products previously or subsequently sold. See your WATTS Drainage representative for any clarification. Dimensions are subject to manufacturing tolerances.



CANADA: 5435 North Service Road, Burlington, ON, L7L 5H7 TEL: 905-332-6718 TOLL-FREE: 1-888-208-8927 Website: www.wattsdrainage.ca



© Watts Drainage 2004