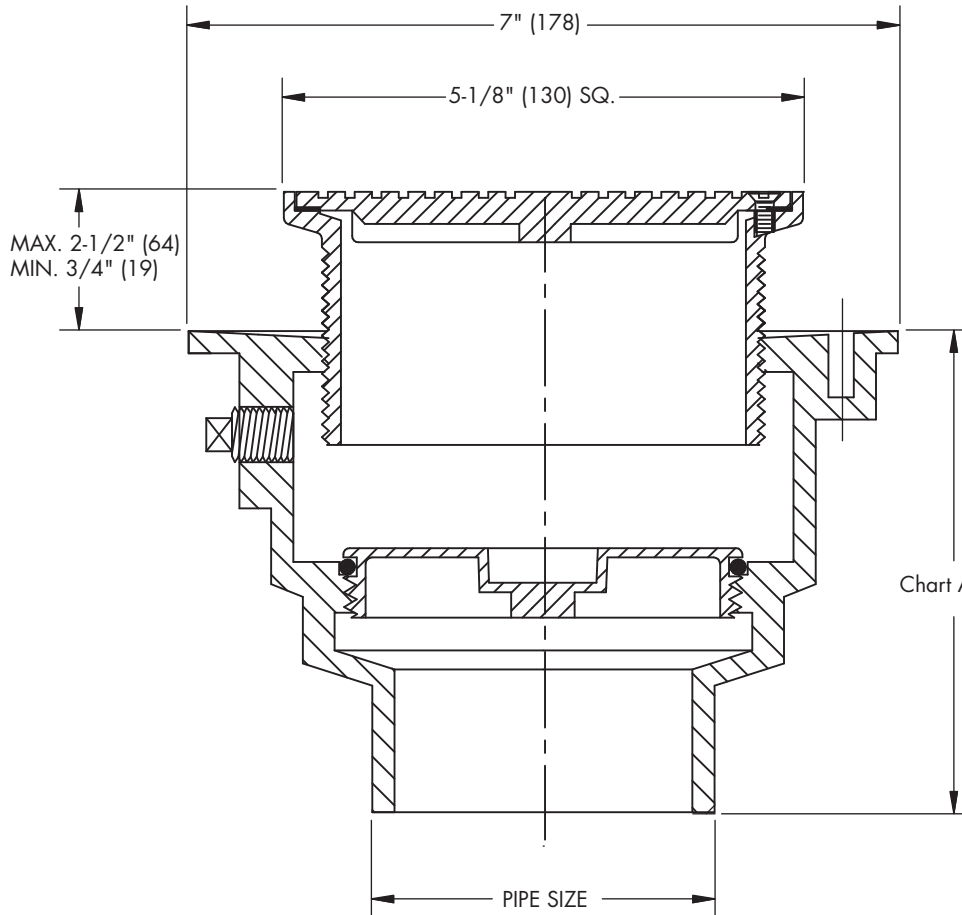




**CO-1200-SX**  
Tag: \_\_\_\_\_

**Floor Cleanout with Extra Heavy  
Duty Square Stainless Steel Top**

**SPECIFICATION:** Watts Drainage CO-1200-SX epoxy coated cast iron floor cleanout with 5"x5" (127x127) square adjustable gasketed extra heavy duty stainless steel top, removable gas tight gasketed brass cleanout plug, and no hub (standard) outlet.



**Components**

B4-34

SX-3

34B

**Pipe Sizing (Select One)**

Suffix	Description	
2	2"(51) Pipe Size	<input type="checkbox"/>
3	3"(76) Pipe Size	<input type="checkbox"/>
4	4"(102) Pipe Size	<input type="checkbox"/>

**Outlet Type (Select One)**

Suffix	Description	
NH	No Hub (MJ)	<input type="checkbox"/>
P	Push On	<input type="checkbox"/>
X	Inside Caulk	<input type="checkbox"/>

**Options (Select One or More)**

Suffix	Description	
-6	Vandal Proof	<input type="checkbox"/>
-13	Galvanized Body	<input type="checkbox"/>
-28	304 SS Body & Plug	<input type="checkbox"/>
-US	Buy American Compliant	<input type="checkbox"/>

**Optional Body Material**

Suffix	Description	
-60	PVC Body w/Poly Plug	<input type="checkbox"/>
-61	ABS Body w/Poly Plug	<input type="checkbox"/>

Chart A

	NH(MJ)	P	60/61
Pipe Size	No Hub	Push On	PVC/ABS
2"	4-1/2" (114)	5-1/2" (140)	4" (102)
3"	4-1/2" (114)	5-1/2" (140)	4" (102)
4"	4-3/4" (121)	5-1/2" (140)	4" (102)

**Load Rating**  
\*XHD

\* The load classifications are in accordance with the American National Standards ASME A112.21.1M ASME Ratings are as follows:  
XHD - Safe Live Load 7500-10000 lbs.(3375-4500kg)  
The above categories are given as a guide only. Please consult factory.

Job Name \_\_\_\_\_ Contractor \_\_\_\_\_

Job Location \_\_\_\_\_ Contractor's P.O. No. \_\_\_\_\_

Engineer \_\_\_\_\_ Representative \_\_\_\_\_

WATTS Drainage reserves the right to modify or change product design or construction without prior notice and without incurring any obligation to make similar changes and modifications to products previously or subsequently sold. See your WATTS Drainage representative for any clarification. Dimensions are subject to manufacturing tolerances.



**Specification Drainage Products**

USA: 100 Watts Road, Spindale, NC, 28160-2298; TEL: 828-288-2179 TOLL-FREE: 1-800-338-2581 www.watts.com