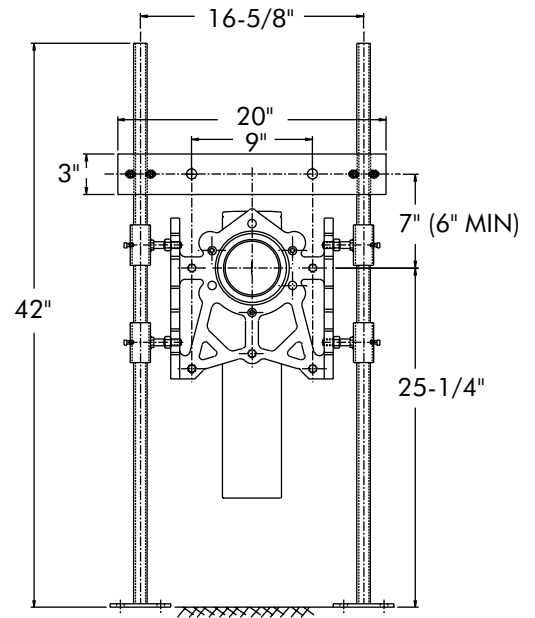
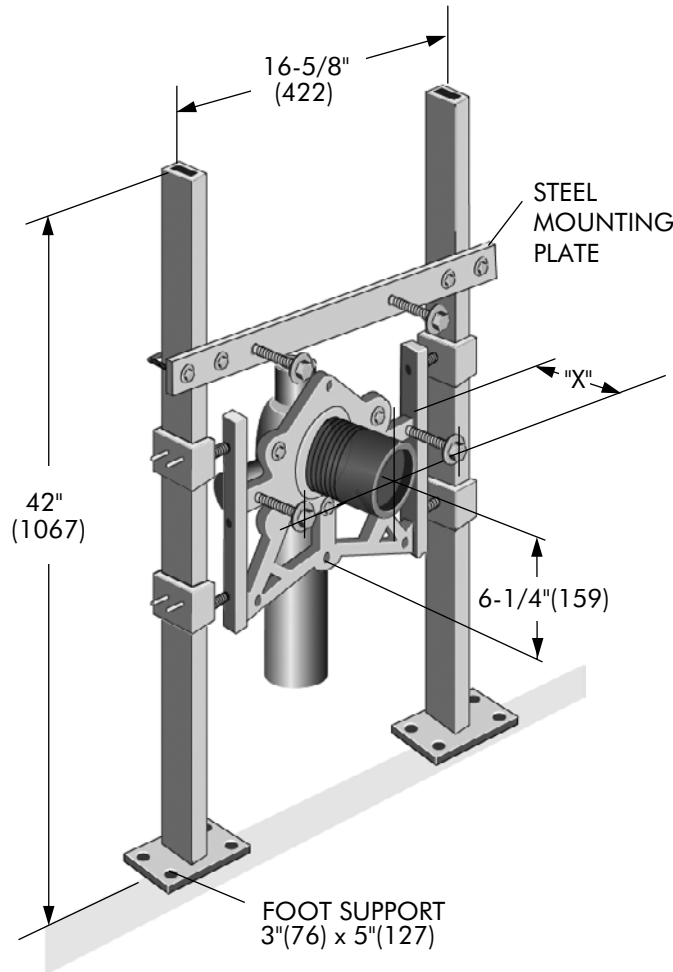


SPECIFICATION: Watts Drainage Products CA-560 floor mounted service sink carrier with heavy gauge steel uprights with integral welded feet, epoxy coated steel mounting plate and waste fitting, no hub waste and vent connections, adjustable ABS nipple with integral test cap and neoprene gasket, plated hardware, and chrome cap nuts.



"X"=4-5/8"(117) MIN, 5-3/4"(146) MAX.
WITH STANDARD COUPLING.
1-1/4"(32) MIN. WITH SHORTENED COUPLING.

MODEL NUMBER	Min. Pipe Space to Finished Wall	From Front of Face Plate to Back of Fitting	From Top of Fitting to Centre of Coupling	From Centre of Coupling to Bottom of Fitting	Description
CA-560-3	5-5/8"(143)	5-1/4"(133)	3-3/4"(95)	14-1/2"(368)	3"(76) Waste, 2"(51) Vent
CA-560-4-V2	7-1/2"(191)	6-7/8"(175)	5-1/2"(140)	20"(508)	4"(102) Waste, 2"(51) Vent
CA-560-4-V4	7-1/2"(191)	6-7/8"(175)	4-1/2"(114)	20"(508)	4"(102) Waste, 4"(102) Vent

Job Name _____ Contractor _____

Job Location _____ Contractor's P.O. No. _____

Engineer _____ Representative _____

WATTS Drainage reserves the right to modify or change product design or construction without prior notice and without incurring any obligation to make similar changes and modifications to products previously or subsequently sold. See your WATTS Drainage representative for any clarification. Dimensions are subject to manufacturing tolerances.